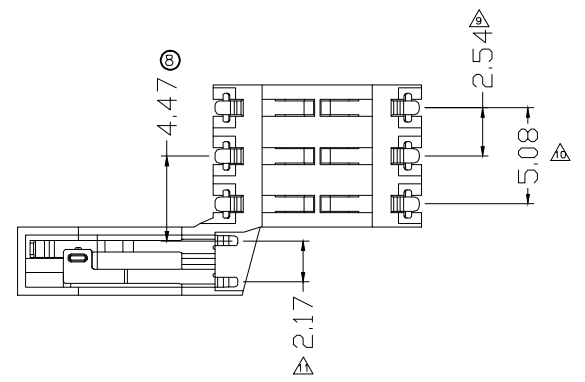
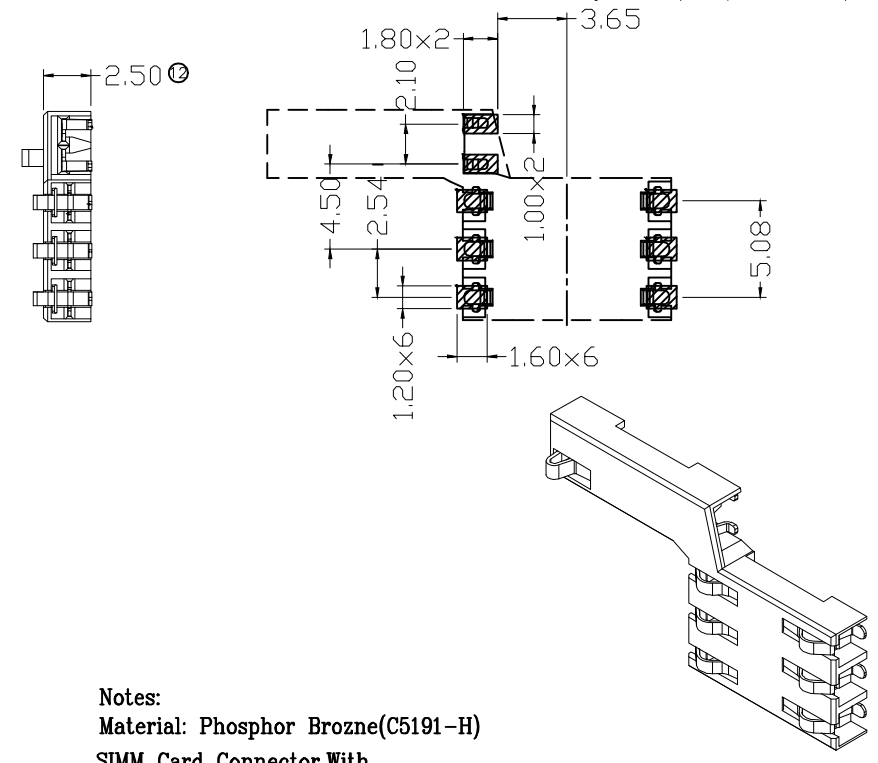
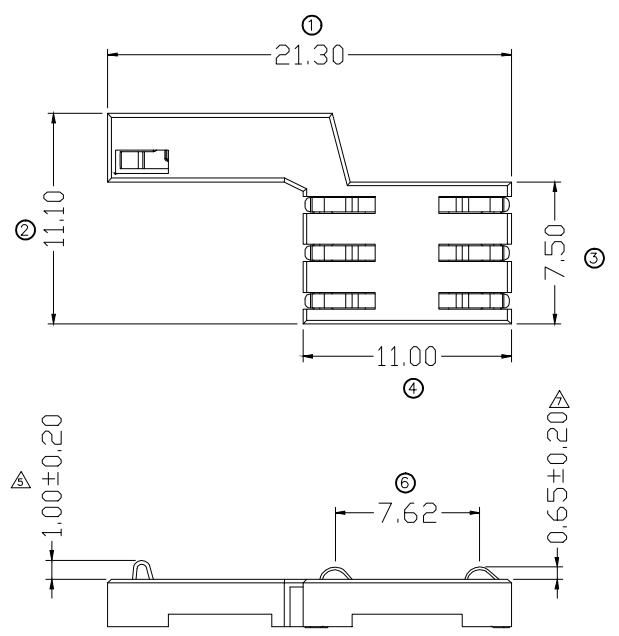


REV.	ECN.NO.	MODIFY.CONTENT	DATE
A0		NEW	2015/05/25

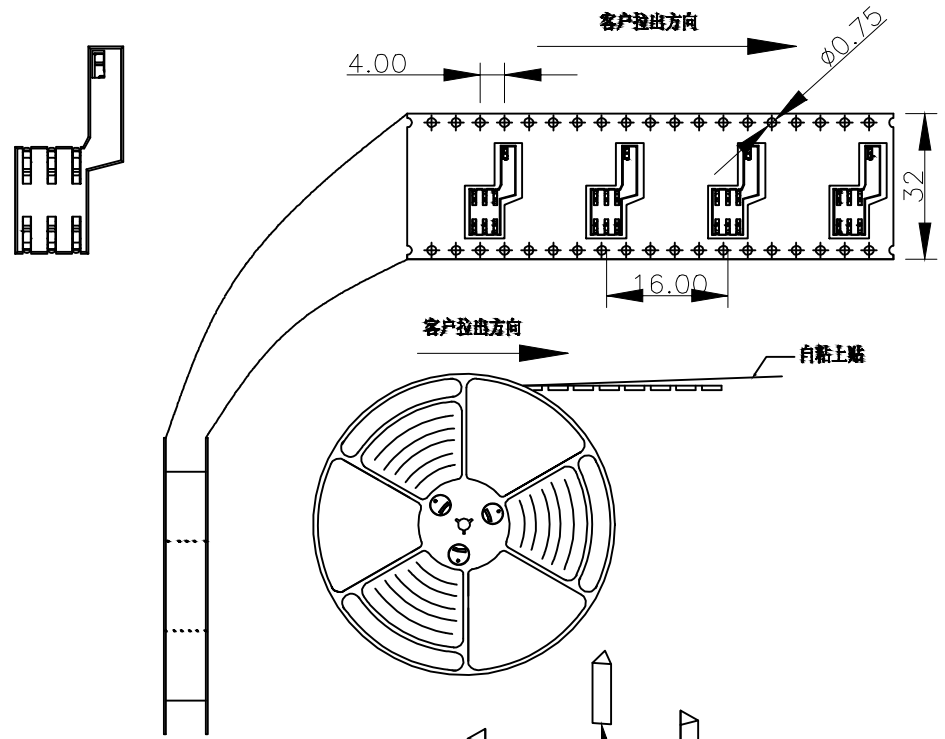
Recommended P.C.B Layout(Top Side)



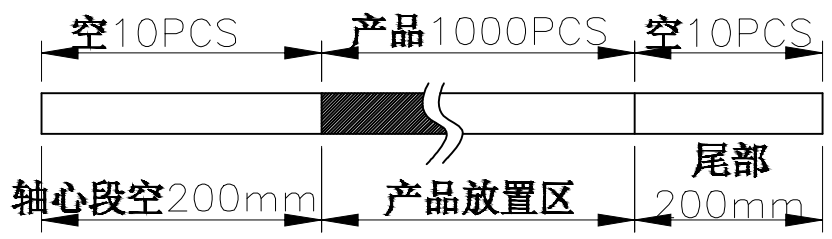
Notes:  
**Material:** Phosphor Bronze(C5191-H)  
**SIMM Card Connector,With**  
**Physical:**  
**Housing:** LCP(NY 9T) UL 94V-0  
**Contact:** Selective Gold Flash  
**Specifications:**  
**Voltage Current rating:** 1A. 50V AC  
**Insulation Resistance:** 1000Mohm Min  
**Contact Withstanding Voltage:**  
 AC 500V For 1 Minute  
**Temperteure Rating:** -40° To +85°

GENERAL TOLERANCE		DWG NO.	JYSA20150525	APPD:		Scale	1:1
X.±0.45	x.'±5'	TITLE	SINI SMART CARD 6PIN 右 开关 2.5H 工字型	CHKD:		UNIT	mm
.X±0.35	.x'±2'			DR:			
.XX±0.25	.xx'±1'	Part NO.	JYS-SM250-188	Date	2015/05/25		
.XXX±0.15	.xxx'±0.5'			Shenzhen <b>JYSCONN Electronics Co., LTD.</b>			
SHEET	1/2						

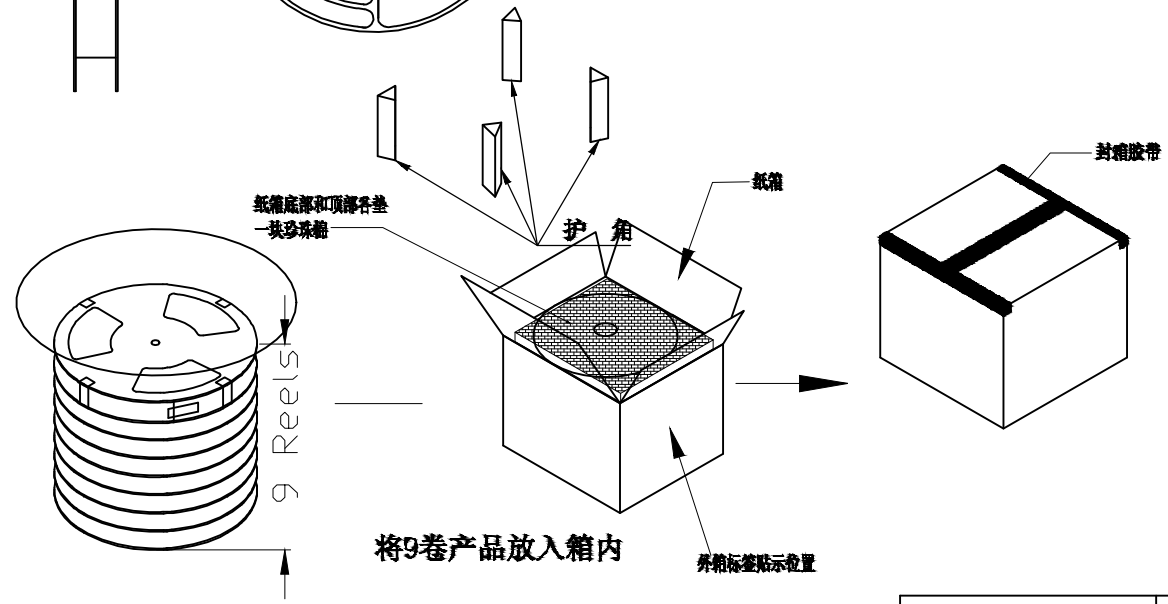
REV.	ECN.NO.	MODIFY.CONTENT	DATE
A0		NEW	2015/05/25



- NOTES
1. 每卷包装数量: 1000PCS/每卷
  2. 卷带包装方式:



3. 每箱包装数量: 9000PCS/箱
4. 纸箱 350mm\*350mm\*340mm (内部尺寸), 材质 E-I



GENERAL TOLERANCE		DWG. NO.	JYSA20150525	APPD:		Scale	1:1
X.±0.45	x.'±5'	TITLE	SINI SMART CARD 6PIN 右 开关 2.5H 工字型	CHKD:		UNIT	mm
.X±0.35	.x'±2'			DR:			
.XX±0.25	.xx'±1'	Part NO.	包装图	Date	2015/05/25		
.XXX±0.15	.xxx'±0.5'			Shenzhen <b>JYSCONN Electronics Co., LTD.</b>			
SHEET	2/2						