

NOTES:

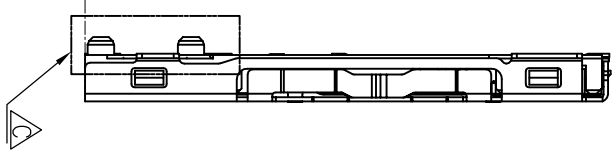
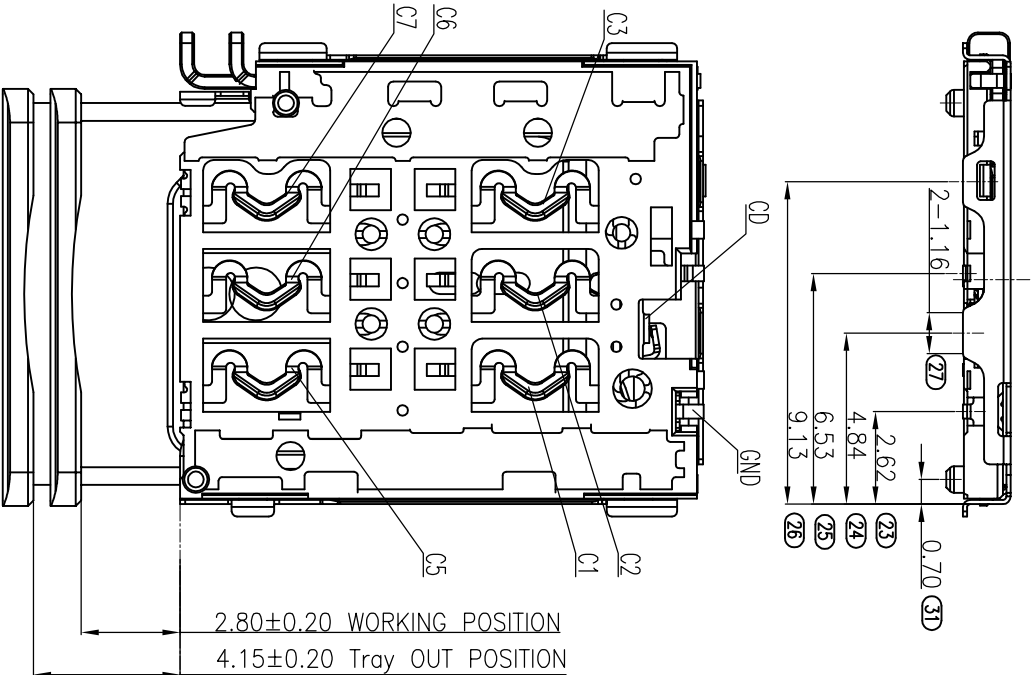
1. MATERIAL:
SEE TABLE(Housing cann't add any recycled material)
2. SPECIALITY:
2.1 Rated current:1.0A
2.2 Rated voltage:30V
2.3 Contact Resistance:50mohm MAX
2.4 Insulation Resistance:1000Mohm MIN 500V DC
2.5 Dielectric withstanding voltage: 500V DC.
2.6 Solder ability:250±5°C, 10±0.5s.
2.7 Durability:3000 Cycles
2.8 Mating and Unmating force
Insertion Force 10N Max; Withdrawal Fore 3N Min
- 2.9 Operating condition:
Temperature -40°C~+85°C; Humidity 80% R.H MAX
3.COPLANARITY: BEFORE IR 0.08mm Max
AFTER IR 0.08 mm Max
- 4.PLEASE CONTACT JITS SALES REPRESENTATIVE TO VERIFY PRODUCT DETAILS & AVAILABILITY
- 5.PLATING:
Shell Solder: G/F; 30u"NI PLATING
CONTACT: 10u"Au; solder: 1u"Au; 60u"NI PLATING
HOUSING(No add any recycling material)

6	CD GND	1PCS	C7035	
5	BAR	1PCS	SUS304-H	
4	LEVER	1PCS	SUS301-1/2H	
3	SHELL	1PCS	SUS301-3/4H	
2	TERMINAL	1SET	CS240	
1	HOUSING	1PCS	LCP BLACK	
NO.	PART NAME	PART NO.	QUANTITY	COLOR/MATERIAL

GENERAL TOLERANCE		图号
X±0.35	X:±5'	JYSA0726-002
X±0.30	X:±2'	
.XX±0.20	.XX'±1'	
.XXX±0.15	.xxx'±0.5'	
页号	1/4	

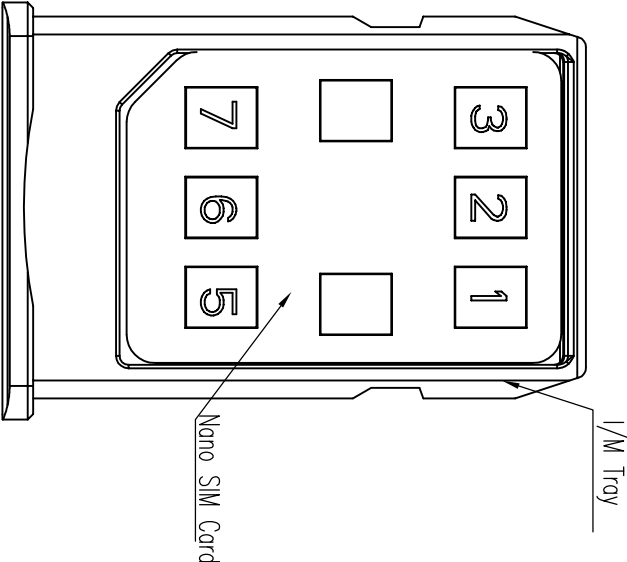
JYSA0726-002		设计	WIND	比例	1:1
NANO SIM CARD PUSH PUSH 7PIN 1.35H 有柱		审核		单位	mm
JYS-SIM135-166		核准		视角	⊙
.XXX±0.15		日期	2016/07/26	版本	A

REV.	EGN.NO.	MODIFY CONTENT	DATE
A		版面首次发行	2016/07/25



SW Circuit Description for Connector:

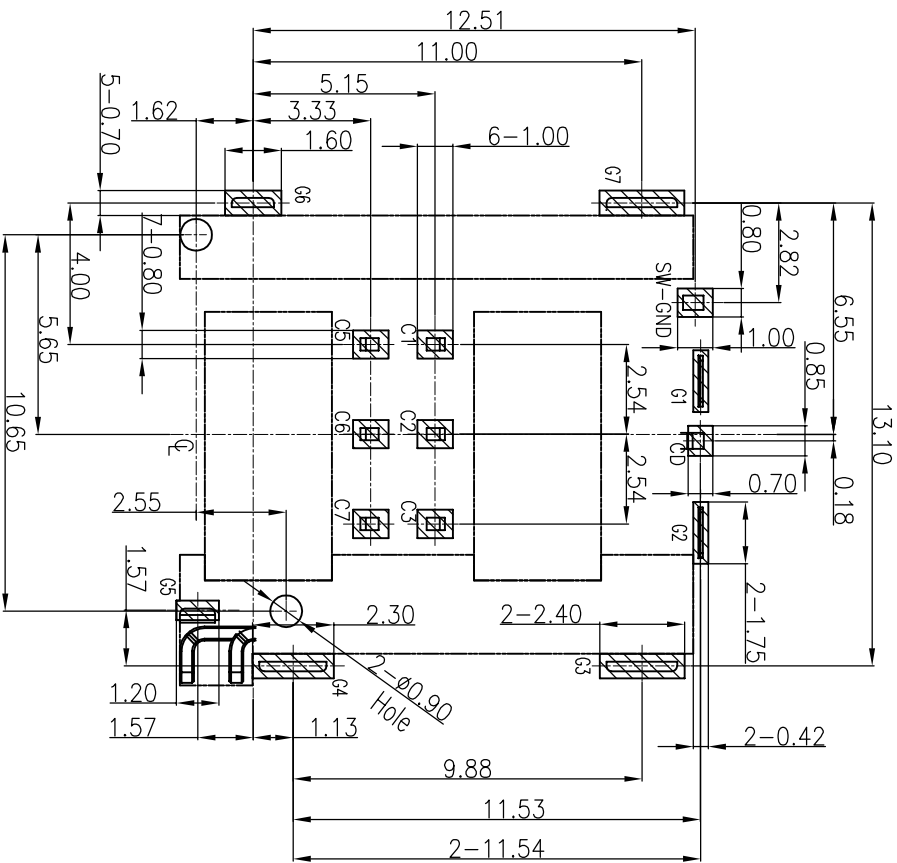
CARD INSERTION STATE	DETECT SWITCH CIRCUIT STATE	SCHEMATIC	
TRAY MATED	OPENED	DETECT PIN [C0]	[GND]
TRAY UNMATED	CLOSED	DETECT PIN [C0]	[GND]






Nano SIM Circuit Description:

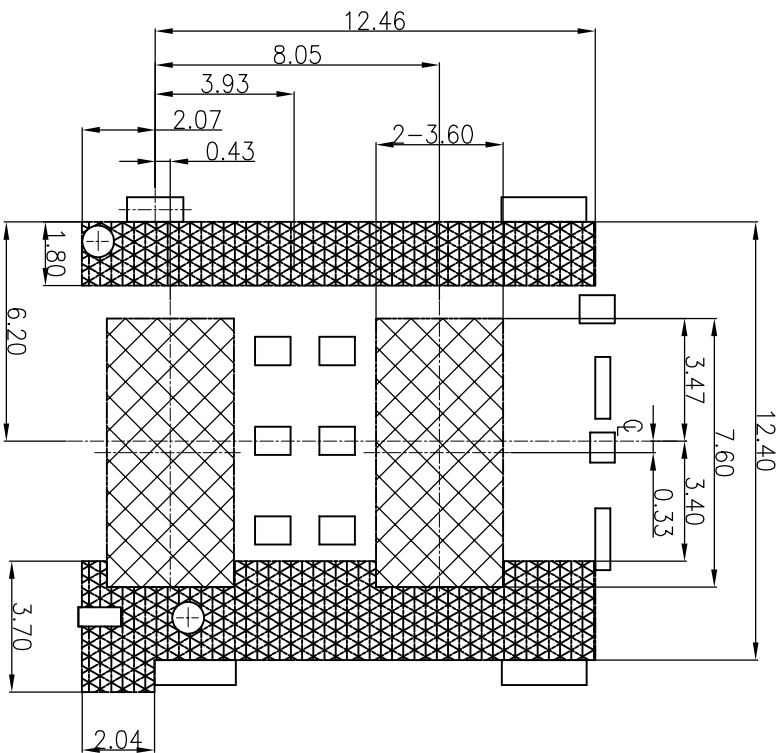
PIN No.	FUNCTION
C1	VCC
C2	RST
C3	CLK
C4	RESERVED
C5	GND
C6	VPP
C7	I/O
C8	RESERVED

GENERAL TOLERANCE		图号	JYSA0726-002	设计	WIND	比例	1:1
X±0.35	X:±5'	品名	NANO SIM CARD PUSH PUSH	审核		单位	mm
X±0.30	X:±2'	料号	7PIN 1.35H 有柱	核准		视角	mm
XX±0.20	.XX'±1'		JYS-SIM135-166	日期	2016/07/26	版本	A
.XXX±0.15	.xxx'±0.5'						
页号	2/4	杰宇森电子有限公司 JIE YU SEN ELECTRONIC CO., LTD.					



RECOMMENDED PCB LAYOUT TOP VIEW
(TOLERANCE: ±0.05)

-  SMT SOLDER AREA.
-  KEEP OUT AREA (No Circuit)
-  THESE AREA SHOULD BE FREE OF ANY CONDUCTIVE TRACES. No Circuit



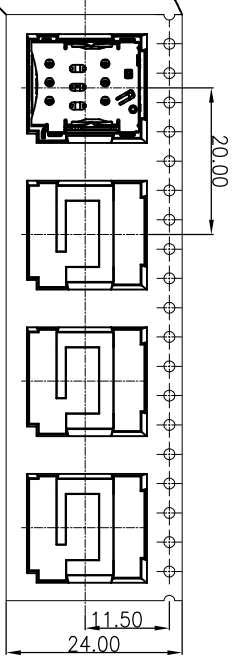
GENERAL TOLERANCE		图号	JYSA0726-002	设计	WIND	比例	1:1
X±0.35	X:±5°	品名	NANO SIM CARD PUSH PUSH	审核		单位	mm
X±0.30	X:±2°	料号	JYS-SIM135-166	核准		视角	mm
.XX±0.20	.XX:±1°			日期	2016/07/26	版本	A
.XXX±0.15	.xxx:±0.5°						
页号	3/4						



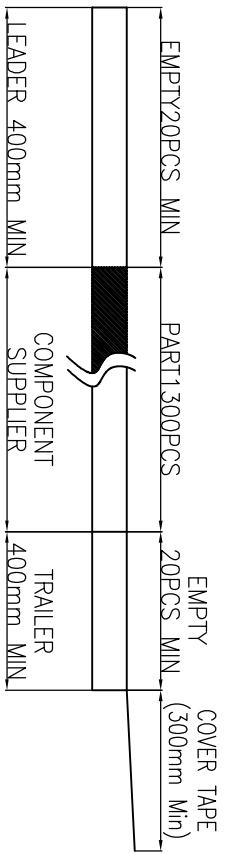
杰宇森电子有限公司
JIE YU SEN ELECTRONIC CO., LTD.

REV.	ECN.NO.	MODIFY CONTENT	DATE
A		版面首次发行	2016/07/25

REV.	EGN.NO.	MODIFY/CONTENT	DATE
A		图面首次发行	2016/07/25

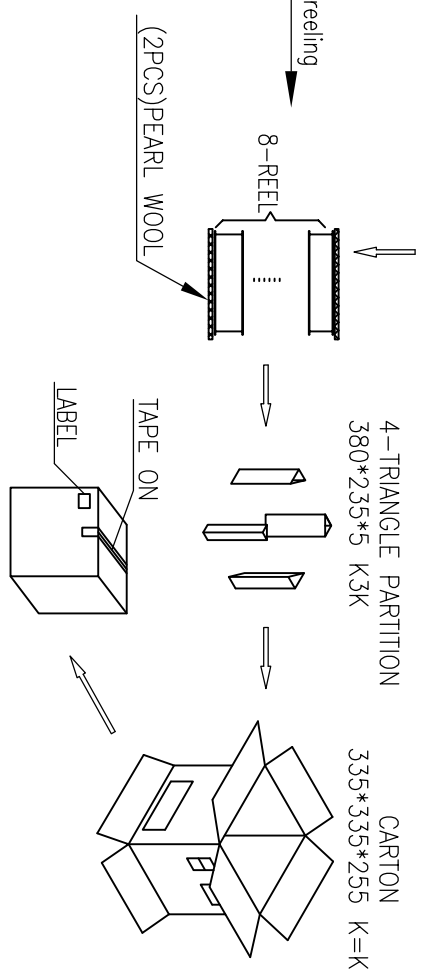
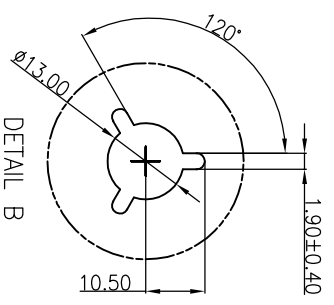
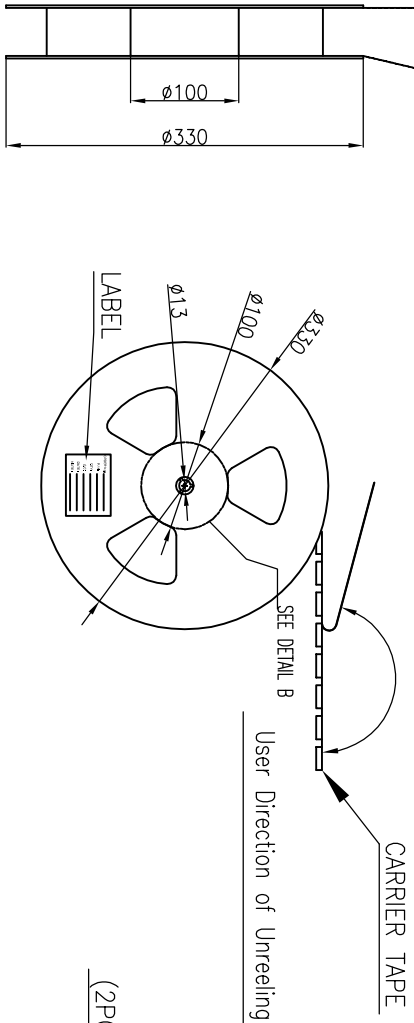



COVER TAPE PEELING ANGLE:165°~180°
PEELING FORCE:20~130g



NOTES

1. NUMBER OF CONNECTORS:1300PCS/REEL
2. LEAD TAPE LENGTH
3. QUANTITY:10400PCS/CARTON
4. WEIGHT :
 - 4.1 NET WEIGHT : 6.0Kg/CARTON
 - 4.2 GROSS WEIGHT : 9.0Kg/CARTON



GENERAL TOLERANCE	图号	JYSA0726-002	设计	WIND	比例	1:1
X±0.35	X:±5'	NANO SIM CARD PUSH PUSH 7PIN 1.35H 有柱	審核		单位	mm
X±0.30	X:±2'		核准		视角	mm
.XX±0.20	.XX'±1'	JYS-SIM135-166	日期	2016/07/26	版本	A
.XXX±0.15	.xxx'±0.5'					
页号	4/4	 杰宇森电子有限公司 JIE YU SEN ELECTRONIC CO., LTD.				