

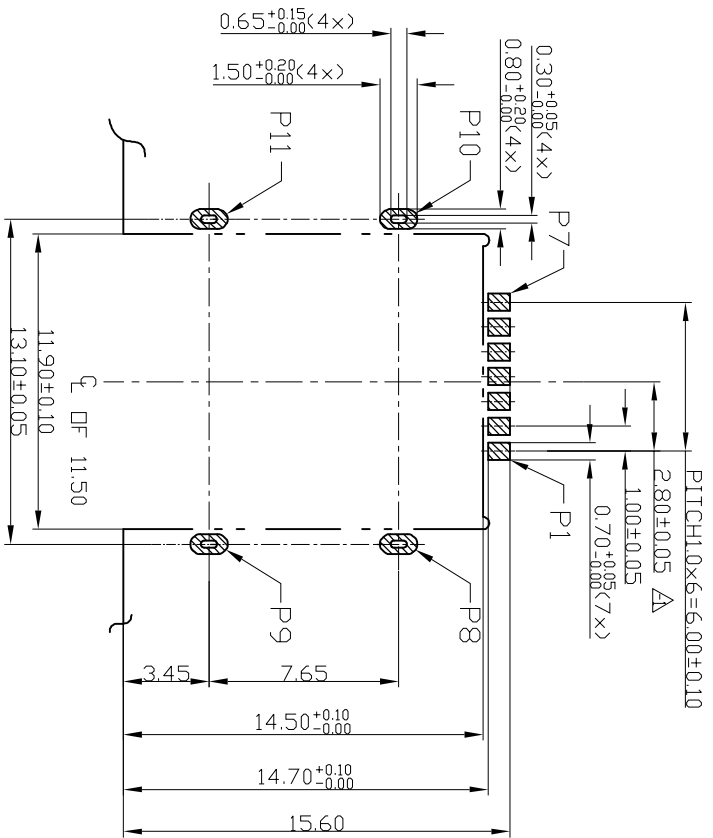
OPEN/CLOS OF SWITCH :

DETECT SWITCH FOR CARD	
CARD UNINSERTION	OPEN $\begin{matrix} P2 \\ \text{---} \\ P1 \end{matrix}$
CARD INSERTION	CLOSE $\begin{matrix} P2 \\ \text{---} \\ P1 \end{matrix}$
N/O	$\begin{matrix} P2 \\ \text{---} \\ P1 \end{matrix}$

NOTE:  
 (1)MATERIAL:  
 1-1 PLASTICS: LCP,UL 94V-0,COLOR: BLACK  
 1-2 CONTACT: C5210  
 1-3 SHELL: SUS304  
 1-4 TRAY: LCP,UL 94V-0,COLOR: BLACK  
 (2)PLATING:  
 2-1 CONTACT:  
 2-1-1 CONTACT AREA: 08u" Au PLATING  
 2-1-2 SOLDER TAIL AREA: 100u" MATTE TIN PLATING OVER 50u" NI  
 2-2 SHELL:  
 2-2-1 SOLDERABLE 30u" Ni PLATING OVER ALL  
 (3)CONTACT AND TAIL COPPLANARITY TD BE 0.10mm Max.

GENERAL TOLERANCE	DWG NO.	JYSA1229-001	APPD:	YMD	Scale	1:1
X:±0.45	Title	Nano SIM TOP MOUNT SINK TYPE	CHD:		UNIT	mm
X±0.35			DR:			
XX±0.25	Part NO.	JYS-SIM150-098	Date	2016/02/24		
.XXX±0.15						
SHEET 1/2						

REV.	ECN.NO.	MODIFY-CONTENT	DATE
A		NEW	2016/02/24



RECOMMENDED P.C. BOARD LAYOUT (MOUNT SURFACE)  
TOLERANCES UNLESS OTHERWISE SPEC. ±0.05

NOTES:

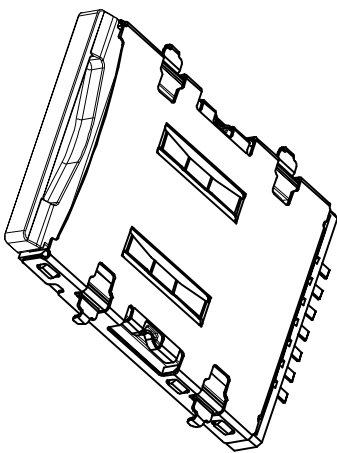
: PAD AREA

: KEEP OUT AREA

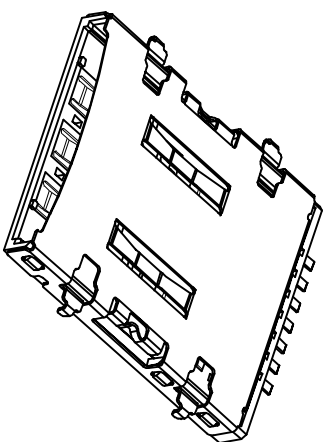
CONTACT PIN ASSIGNMENT		
PIN No.	No. FOR CARD	FUNCTION
P1	CD	CARD DETECT
P2	C5	GND
P3	C1	Vcc
P4	C6	Vpp
P5	C2	RST
P6	C7	I/O
P7	C3	CLK
P8	None	GND
P9	None	GND
P10	None	GND
P11	None	GND

REV.	ECN.NO.	MODIFY CONTENT	DATE
A		NEW	2016/02/24

CONNECTOR WITH TRAY

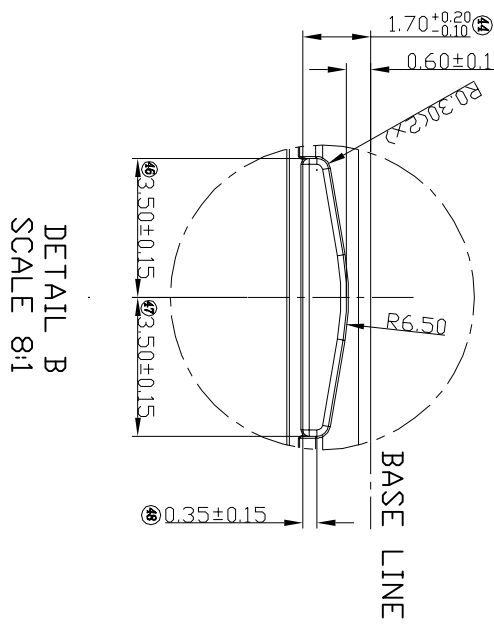
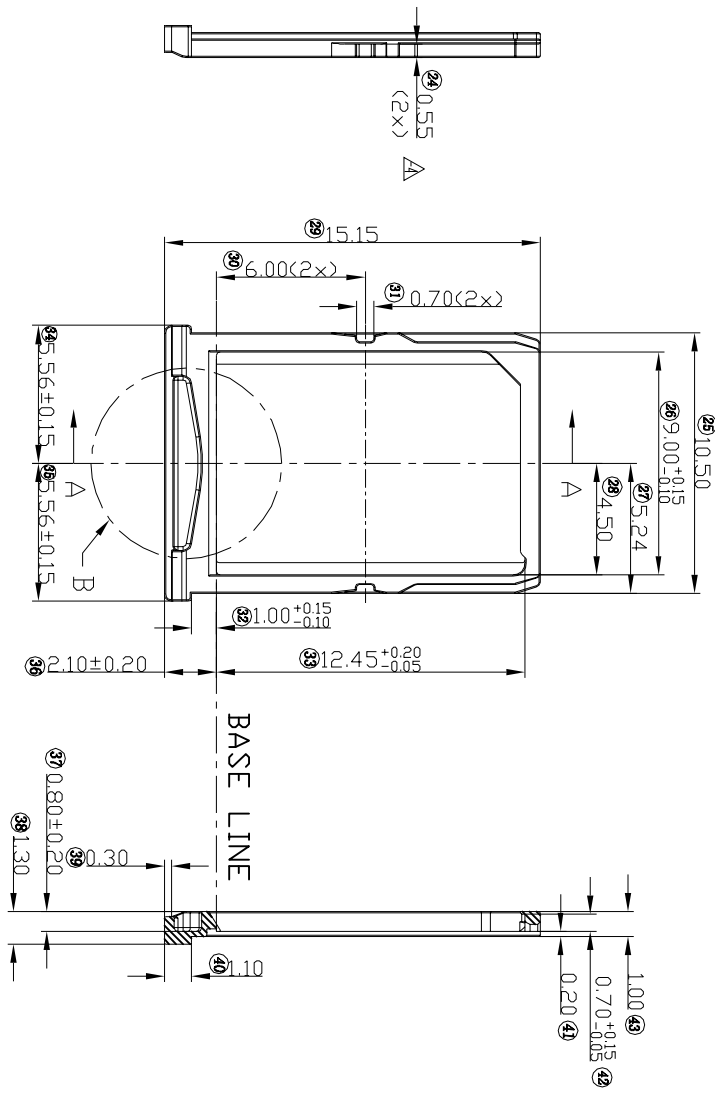


CONNECTOR



GENERAL TOLERANCE		DWG. NO.	JYSA1229-001	APPD:	YMD	Scale	1:1
X.±0.45	X.±5'	Title	Nano SIM TOP MOUNT SINK TYPE <td>DR:</td> <td></td> <td>UNIT</td> <td>MM</td>	DR:		UNIT	MM
X.±0.35	X.±2'			Date	2016/02/24		
.XX±0.25	.xx±1'	Pact. No.	JYS-SIM150-098				
.XXX±0.15	.xxx±0.5'						
SHEET	2/2						

REV.	ECN.NO.	MODIFY-CONTENT	DATE
A		NEW	2016/02/24



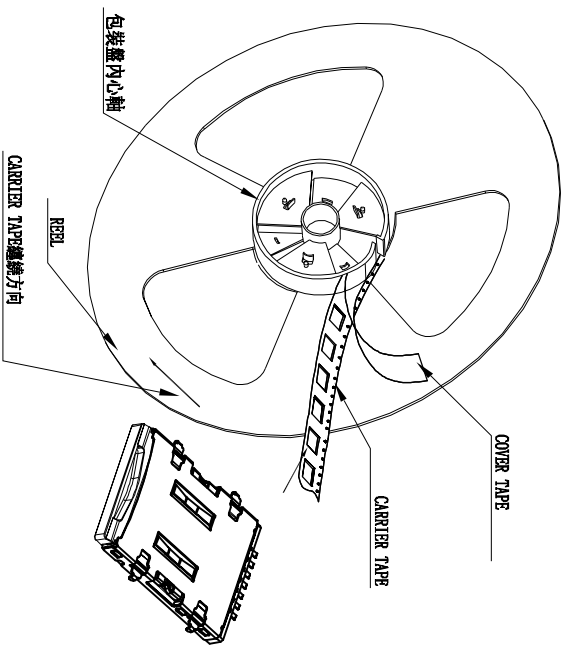
SEC A-A

DETAIL B  
SCALE 8:1

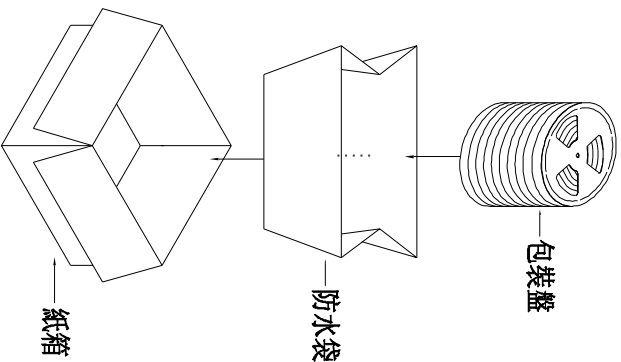
GENERAL TOLERANCE		DWG NO.	JYSA1229-001	APPD:	YMD	Scale	1:1
X.±0.45	X.±5°	Title	Nano SIM TOP MOUNT SINK TYPE	CRD:		UNIT	mm
X±0.35	X.±2°	PART NO.	JYS-SIM150-098	DR:			
.XX±0.25	.XX'±1°	Date	2016/02/24				
.XXX±0.15	.xxx'±0.5°						
SHEET 1/1							

杰宇森电子有限公司  
 JIE YU SEN ELECTRONIC CO., LTD.

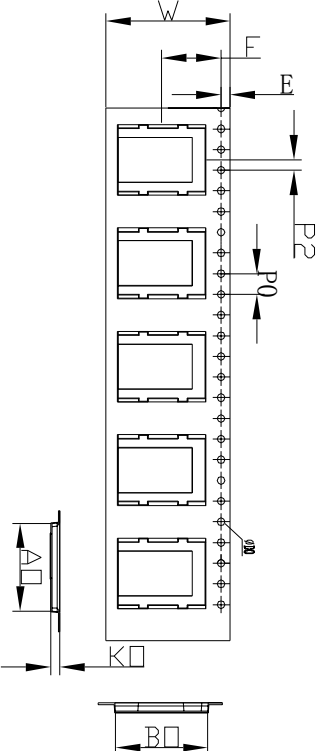
- 1) 將成品一一放入包裝盤內, 依同一方向放入.
- 2) 包裝時, 如圖所示.
- 3) 一個包裝盤放置1000個成品.



- 1) 一只紙箱可放置5個包裝盤.
- 2) 一只紙箱可放5000PCS的成品.
- 3) 將成品放入包裝盤內包裝完後再裝箱.



三、REEL 裁帶尺寸圖.



ITEM	W	A0	B0	K0	P	F	E	S0	D0	P0	P2
DIM	24.00±0.17	17.00±0.17	85.5±0.20	2.00±0.20	0	1.50±0.11	0.75±0.07	0.00±0.01	1.50±0.11	4.00±0.04	2.00
ALTERNATE											

產品單重: 0.6g  
 每盤單重: 800g  
 每箱單重: 4100g(5000PC)

GENERAL TOLERANCE		Part No.	JYS-A1229-001	APPR:	TRD	Scale
X.±0.45	X.±5°	Title	Nano SIM TOP MOUNT SINK TYPE	CHD:		1:1
X±0.35	X.±2°	Part No.	JYS-SIM150-098	DR:		mm
.XX±0.25	.XX'±1°			Date	2016/02/24	
.XXX±0.15	.xxx'±0.5°					
SHEET 1/1						

REV.	ECN NO.	MODIFY CONTENT	DATE
A		NEW	2016/02/24