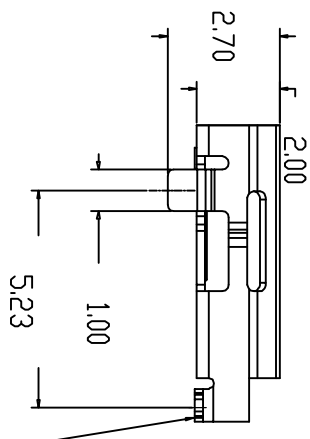
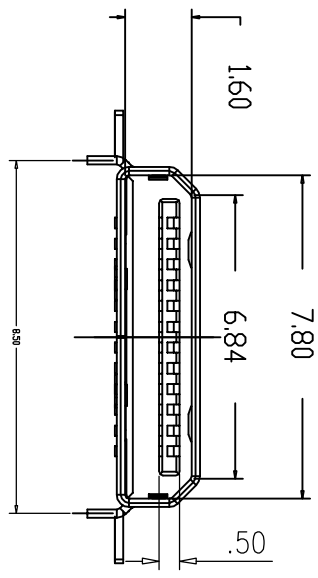
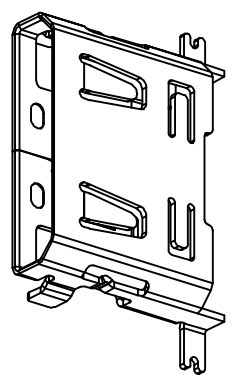


RECOMMEND PCB LAYOUT (±0.05)




COPLANARITY IS 0.10 MAX.



### SPECIFICATIONS

1. Mechanical Characteristics
  - 1.1 Insertion Force: 35N(3.57Kgf) MAX.
  - 1.2 Extraction Force: 7N(0.71Kgf) Min.
  - 1.3 Mating cycle: 5000 cycles
2. INSULATION RESISTANCE: 100M MINIAT 100V DC
3. DIELECTRIC WITHSTANDING VOLTAGE: 350V(r.m.s)AC
4. CONTACT RESISTANCE: 30m MAX.
5. OPERATING TEMPERATURE: -30 TD +80°

GENERAL TOLERANCE		DWG NO.	JYSA1017-03	APPD:	WIND	Scale	1:1
X±0.45	X:±5°	Title	MINI 12pin 2.0mm插后贴 单排USB (无品包型)	CHKD:		UNIT	mm
X±0.35	X:±2°	Part NO.	JYS-USB200-001	DR:			
XX±0.25	.XX'±1°	Date	2012/04/13				
.XXX±0.15	.xxx'±0.5°						
SHEET	1/1						


**杰宇森电子有限公司**  
 JIE YU SEN ELECTRONIC CO., LTD.

REV.	EGN.NO.	MODIFY CONTENT	DATE
A		NEW	2012/04/13