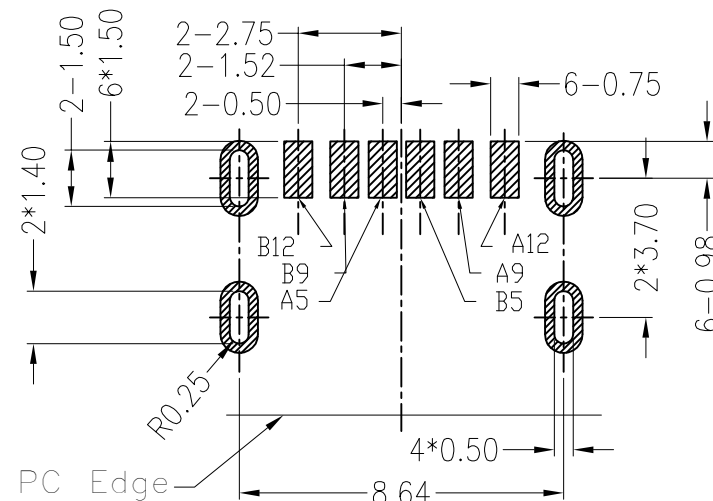
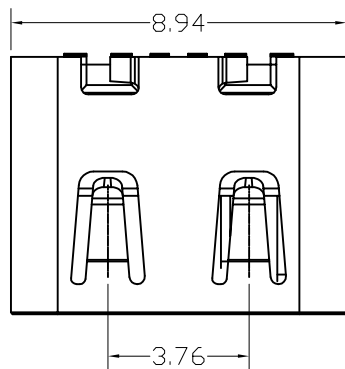


REV.	ECN.NO.	MODIFY.CONTENT	DATE
AO		NEW	2020/05/17



RECOMMENDED P.C.B. LAYOUT
TOLERANCE UNSPECIFIED ±0.05mm

1.Material:

InsertMolding:LCP UL 94V-0 Black
Contact:Copper alloy,T=0.20mm
Shell:Stainless Steel,T=0.30mm

2.Electrical

- 1.1.Rated Voltage:30V AC/DC maximum
- 1.2.CURRENT RATING: 5A FOR VBUS, 1.25A FOR GND PIN,0.25A FOR OTHER.
- 1.3.INSULATION RESISTANCE:100MΩ MIN
- 1.4.CONTACT RESISTANCE:50mΩ MAX

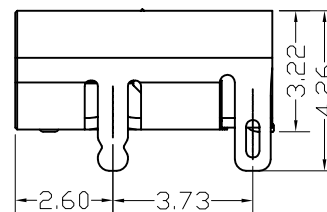
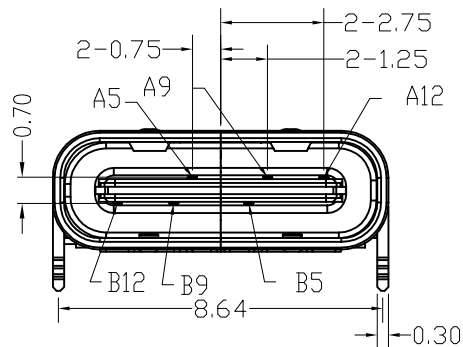
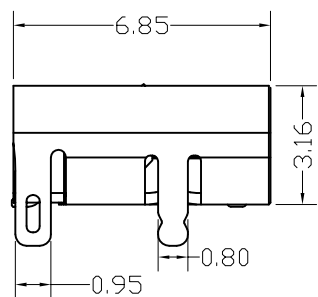
3.Mechanical

- 2.3.INSERT FORCE: 5~20N;
- 2.3.EXTRACT FORCE:INITIAL 8~20N, AFTER 5000 CYCLES 6~20N;
- 2.3.DURABILITY: 5000 CYCLES

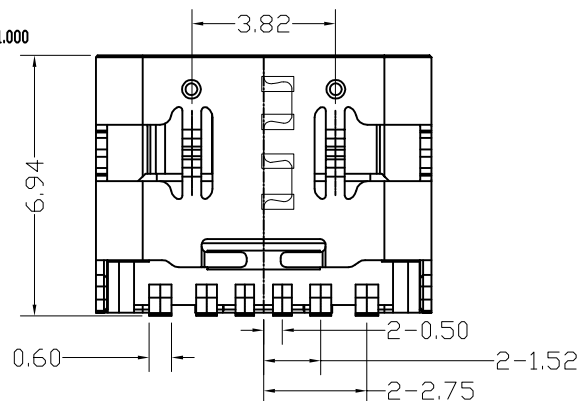
4.Plating

- 4.1.Terminal:Contact area:1u" gold plate over 50u" NI min.Solder area:100u" pure TIN plate over 50u" NI min.
- 4.2.Shell: Ni:100u"min.

5.Ambient Temperature:-55°C To +85°C



比例 1.000



B12	GND
B9	VBUS
B5	CC2
A5	CC1
A9	VBUS
A12	GND
PIN	SIGNAL NAME

GENERAL TOLERANCE		DWG NO.	JYSA180517	APPD:	WIND	Scale	1:1
X.±0.45	x.±5'	Title	USB TYPE C 6PIN 母座 大电流 带压片	CHKD:		UNIT	mm
.X±0.35	.x'±2'			DR:			
.XX±0.25	.xx'±1'	Part NO.	JYS-USB864-077	Date	2020/05/17		
.XXX±0.15	.xxx'±0.5'			JYSCONN Electronics Co., LTD.			
SHEET	1/1						