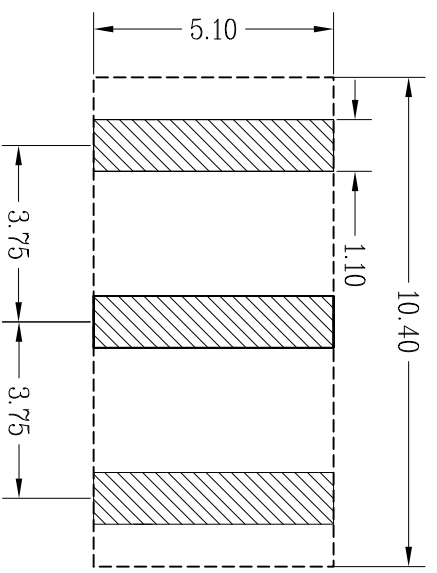
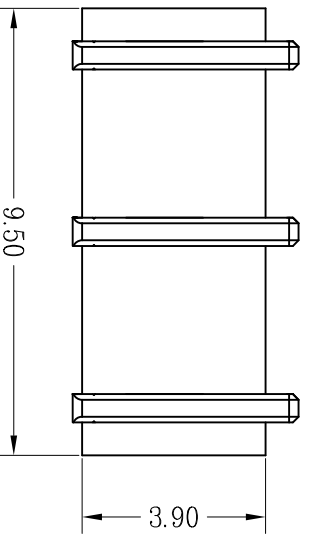
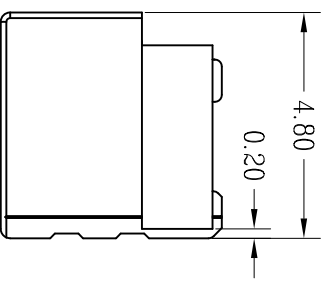
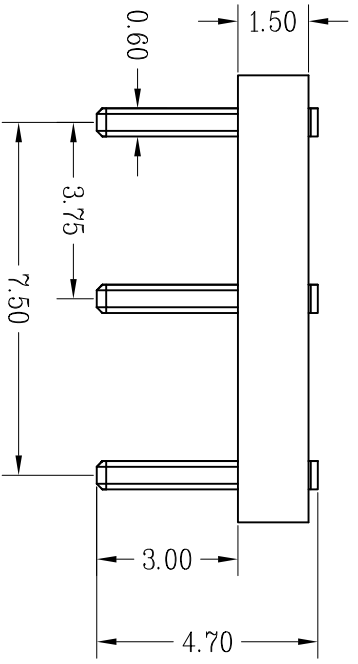
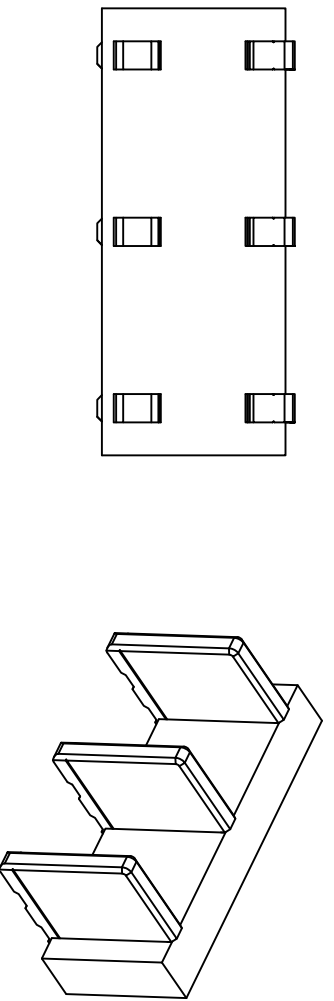


REV.	EGN. NO.	MODIFY CONTENT	DATE
A		NEW	2011/10/31



RECOMMENDED PCB LAYOUT

- NOTES:
1. CONTACT CURRENT RATING: 1.0A.
 2. CONTACT RESISTANCE: 50 mΩ MAX.;
 3. INSULATION RESISTANCE: 1000Ω MIN.;
 4. DIELECTRIC WITHSTANDING: 300V AC MIN.;
 5. DURABILITY: 5,000 CYCLES MIN.;
 6. CONNECTOR MATING FORCES: 29.8N (3.00kgf) MAX.;
 7. CONNECTOR UNMATING FORCES: 3N(0.31kgf) MIN.;

PART NUMBER INFORMATION :

GENERAL TOLERANCE		DWG NO.	JYSA0613-001	APPD.	WIND	Scale	1:1
X±0.45	X:±5°	Title	BATTERY 3PIN CONNECTOR H4.8 无铅	CHKD:		UNIT	mm
X±0.35	X:±2°	Part No.	JYS-BY480-072	DR:			
.XX±0.25	.XX:±1°			Date	2013/02/29		
.XXX±0.15	.xxx:±0.5°						
SHEET	1/1						


 杰宇森电子有限公司
 JIE YU SEN ELECTRONIC CO., LTD.