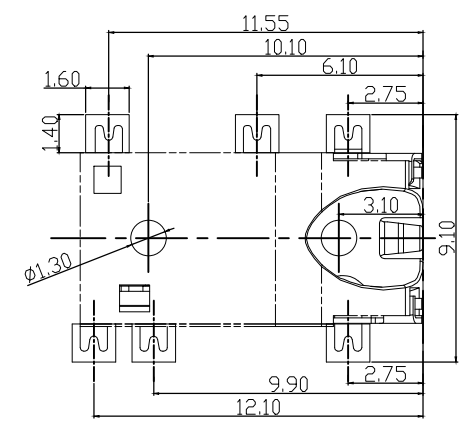
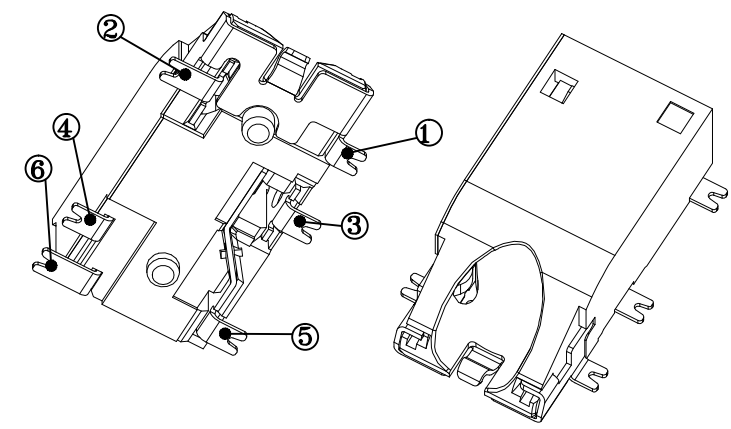
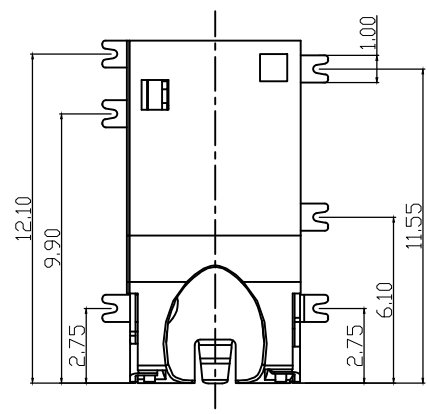
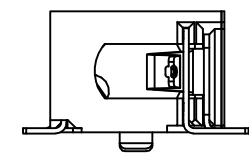
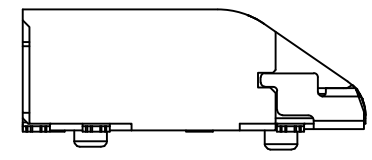
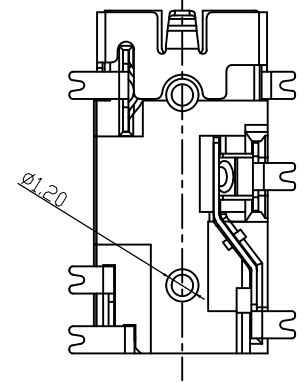
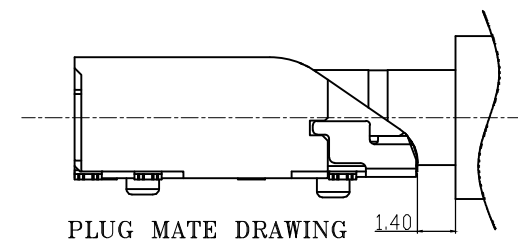
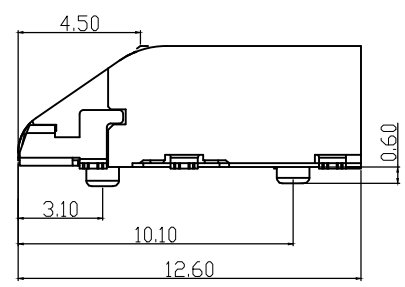
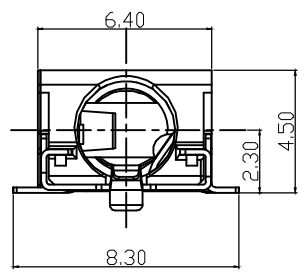


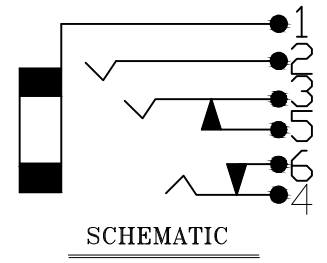
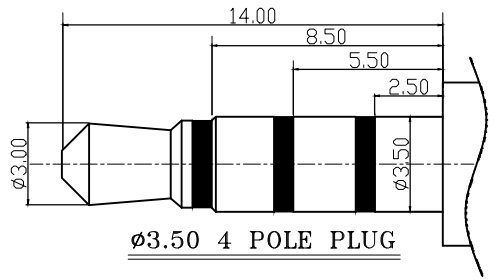
REV.	ECN.NO.	MODIFY.CONTENT	DATE
A		NEW	2014/10/31



RECOMMEND PCB LAYOUT  
TOLERANCE  $\pm 0.05$



- NOTES:
- MATERIAL:
    - 1.1 HOUSING: UL94V-0, COLOR: BLACK
    - 1.2 CONTACT: SUS ALLOY
  - PLATING:
    - 2.1 CONTACTS PLATING: SEE ORDERING INFORMATION
  - RATING:
    - 3.1 OPERATING VOLTAGE: 30VAC/DC.
    - 3.2 CURRENT RATING: 0.5A AC/DC.
    - 3.3 OPERATING TEMPERATURE:  $-25^{\circ}\text{C} \sim +85^{\circ}\text{C}$



GENERAL TOLERANCE	DWG NO.	JYSA0528-001	APPD:	WIND	Scale	1:1
X. $\pm 0.45$	x. $\pm 5^{\circ}$	Title	CHKD:	Date	UNIT	mm
.X $\pm 0.35$	.x $\pm 2^{\circ}$		DR:			
.XX $\pm 0.25$	.xx $\pm 1^{\circ}$	Part NO.	JYS-JK450-023	2014/10/31		
.XXX $\pm 0.15$	.xxx $\pm 0.5^{\circ}$	Shenzhen		JYSCONN Electronics Co., LTD.		
SHEET	1/1					