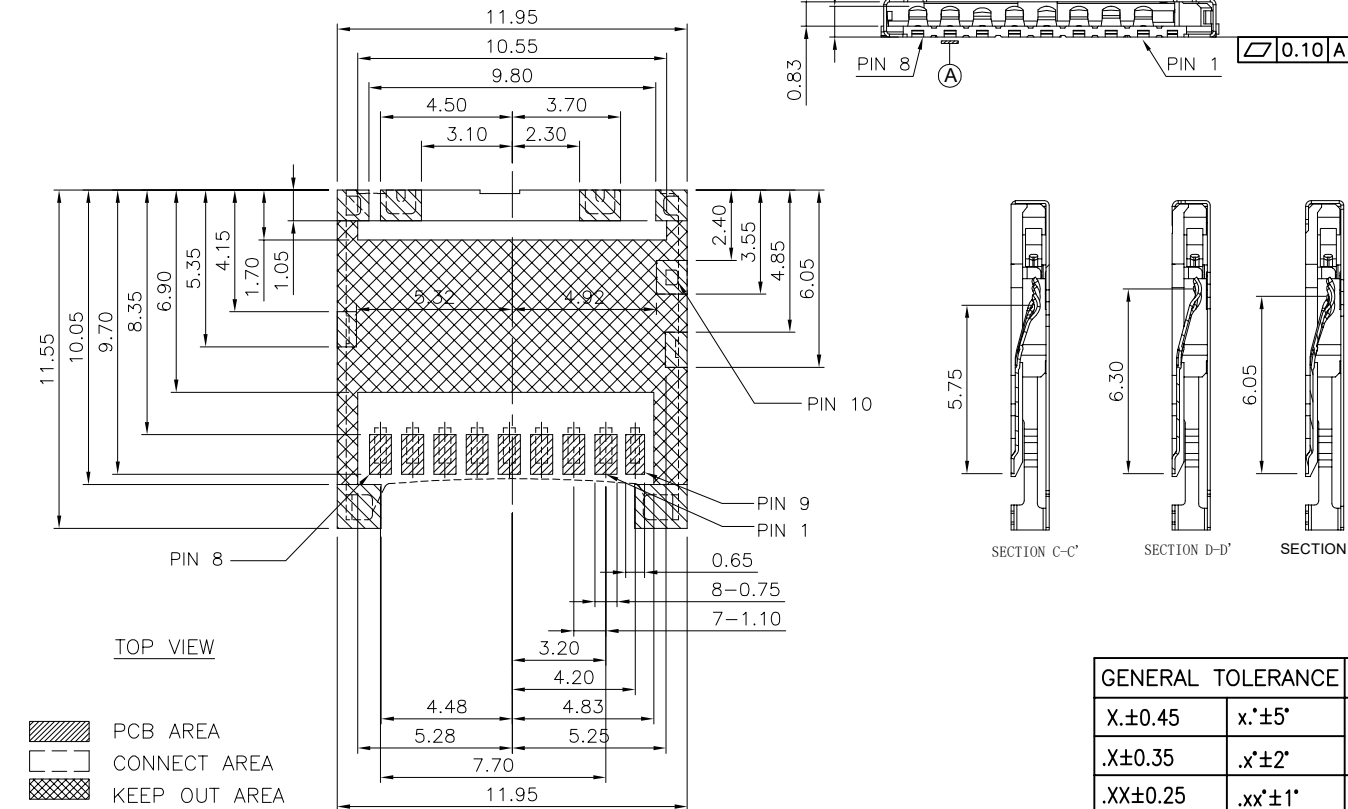
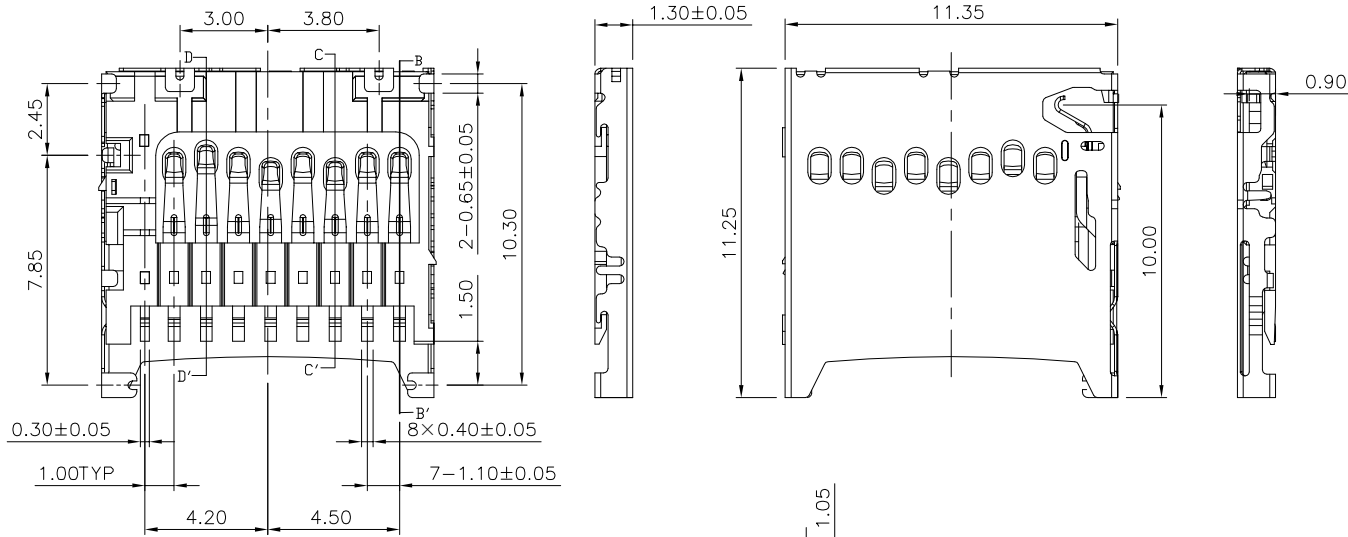


REV.	ECN.NO.	MODIFY.CONTENT	DATE
A		NEW	2014/02/29



PCB AREA
 CONNECT AREA
 KEEP OUT AREA

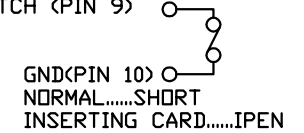
RECOMMEND PCB LAYOUT
TOLERANCE: ±0.05

MATERIALS

1. HOUSING :THERMOPLASTIC (UL 94V-0).
2. TERMINAL : COPPER ALLOY, PLATING SEE TABLE.
3. SHELL : SUS.

SPECIFICATION

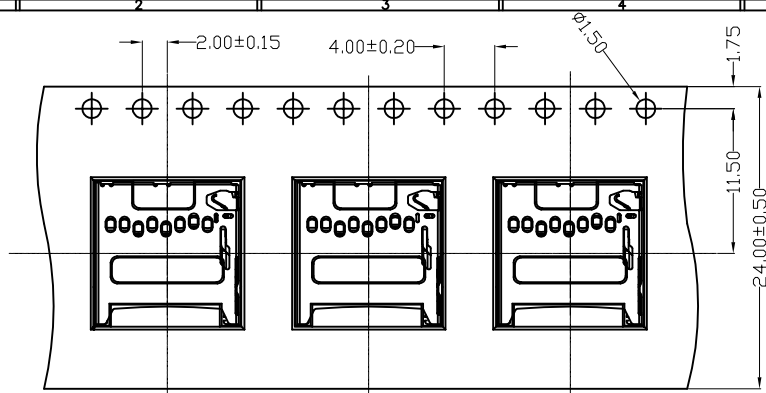
1. CURRENT RATING : 0.5 A. MAX.
2. DIELECTRIC WITHSTANDING VOLTAGE :
500V AC R.M.S. FOR 1 MINUTE.
3. INSULATION RESISTANCE : 1000MΩ MIN.AT 500V DC.
4. CONTACT RESISTANCE : 100mΩ MAX.
5. OPERATING LIFE: 3000 CYCLES.
6. OPERATING TEMPERATURE : -40°C TO +85°C.
7. CIRCUIT DIAGRAM FOR CARD DETECT SWITCH
CARD DETECT SWITCH (PIN 9)



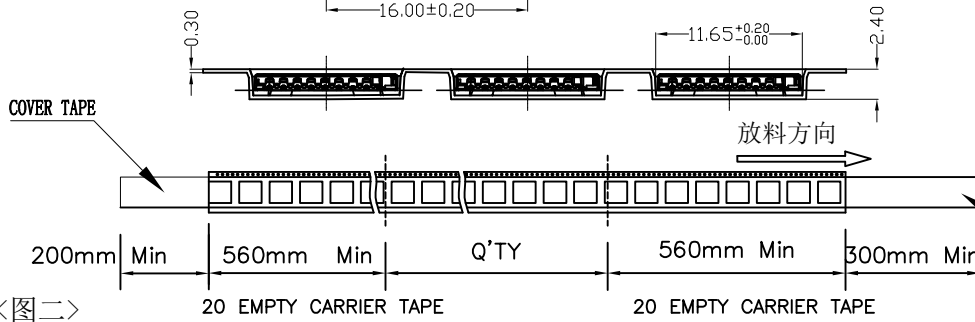
GENERAL TOLERANCE		DWG NO.	JYSA0405-04	APPD:	WIND	Scale	1:1
X.±0.45	x.±5°	Title	1.30mm T-FLASH CARD CONN.	CHKD:		UNIT	mm
.X±0.35	.x'±2°			DR:			
.XX±0.25	.xx'±1°	Part NO.	JYS-TF130-021	Date	2014/02/29		
.XXX±0.15	.xxx'±0.5°						
SHEET	1/2			Shenzhen JYSCONN Electronics Co., LTD.			

REV.	ECN.NO.	MODIFY.CONTENT	DATE
A		NEW	2014/02/29

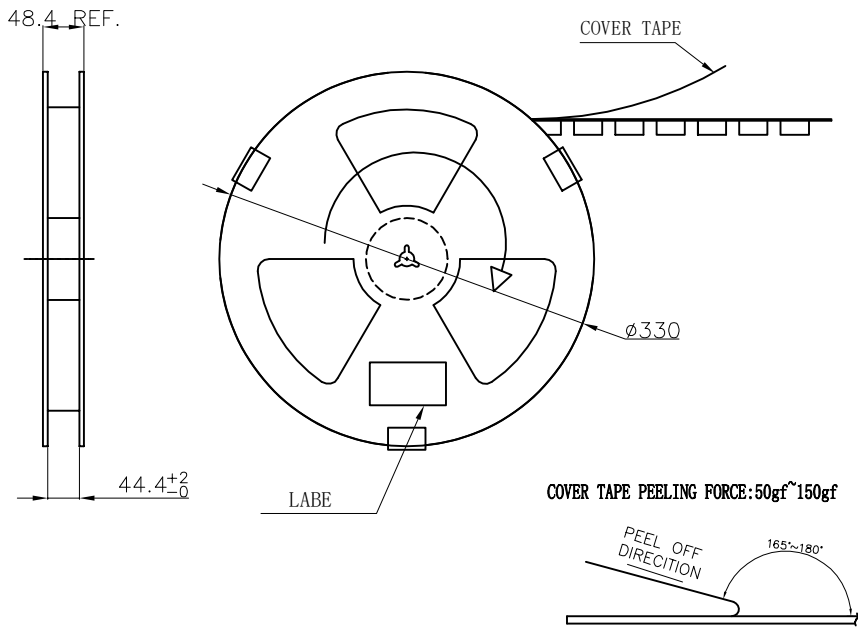
<图一>



<图二>



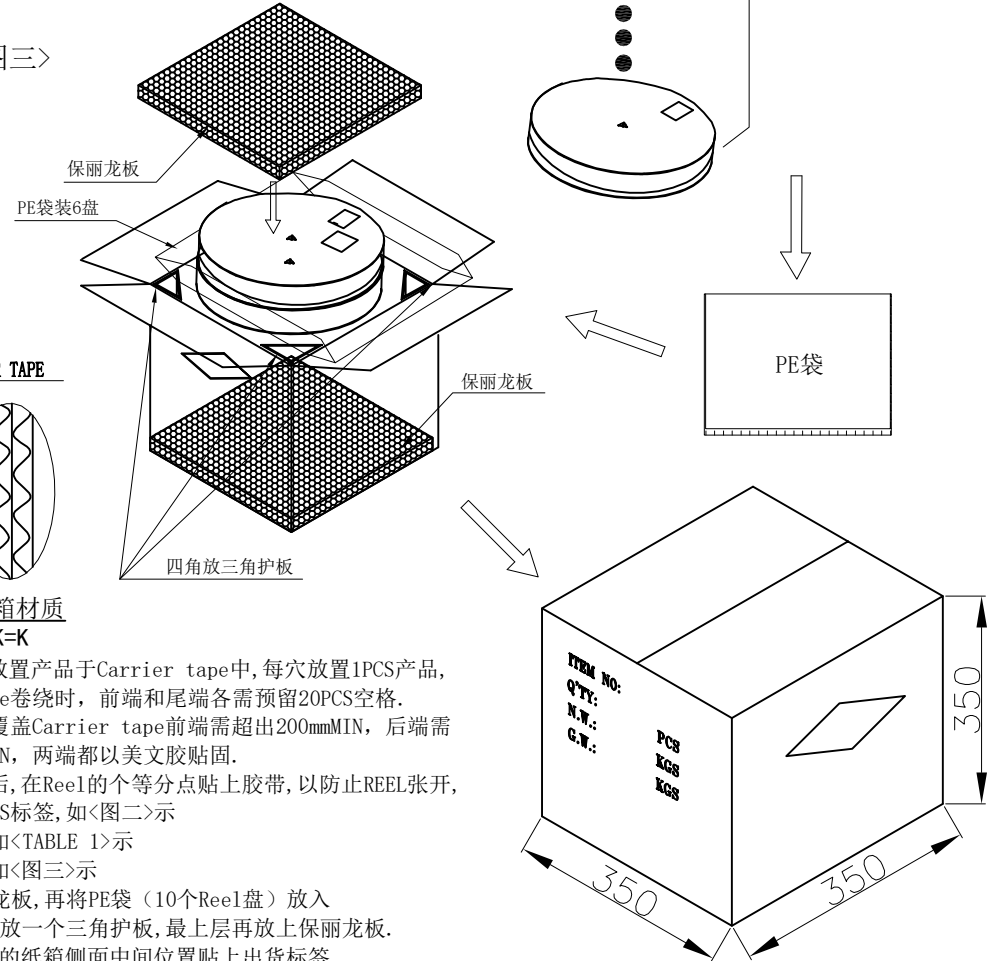
48.4 REF.



<TABLE 1> PACKAGING QUANTITY

QTY/REEL	REEL/CARTON	QTY/CARTON
1500	10	15000

<图三>



纸箱材质

K=K

备注:

- 依<图一>示放置产品于Carrier tape中,每穴放置1PCS产品,Carrier tape卷绕时,前端和尾端各需预留20PCS空格.
- Cover tape覆盖Carrier tape前端需超出200mmMIN,后端需留出300mmMIN,两端都以美文胶贴固.
- 包装机包好后,在Reel的个等分点贴上胶带,以防止REEL张开,每Reel贴1PCS标签,如<图二>示
- 包装数量见如<TABLE 1>示
- 包装成箱见如<图三>示
箱底放保利龙板,再将PE袋(10个Reel盘)放入箱内,四角各放一个三角护板,最上层再放上保利龙板.
- 封箱,在封好的纸箱侧面中间位置贴上出货标签.

GENERAL TOLERANCE		DWG NO.	JYSA0405-04	APPD:	WIND	Scale	1:1
X.±0.45	x.±5°	Title	1.30mm T-FLASH CARD CONN. 包装图	CHKD:		UNIT	mm
.X±0.35	.x'±2°			DR:			
.XX±0.25	.xx'±1°	Part NO.	JYS-TF130-021	Date	2014/02/29		
.XXX±0.15	.xxx'±0.5°						
SHEET	2/2			JYSCONN Shenzhen JYSCONN Electronics Co., LTD.			