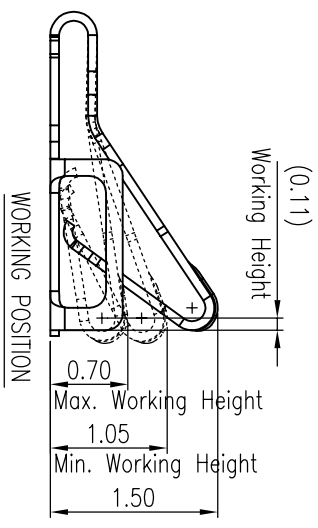
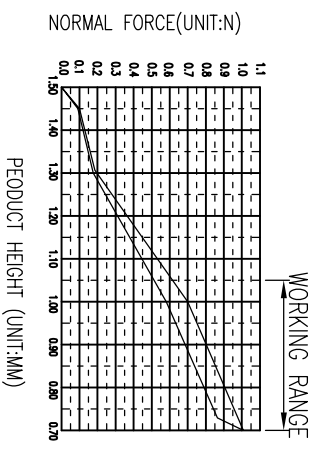
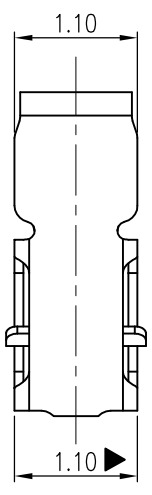
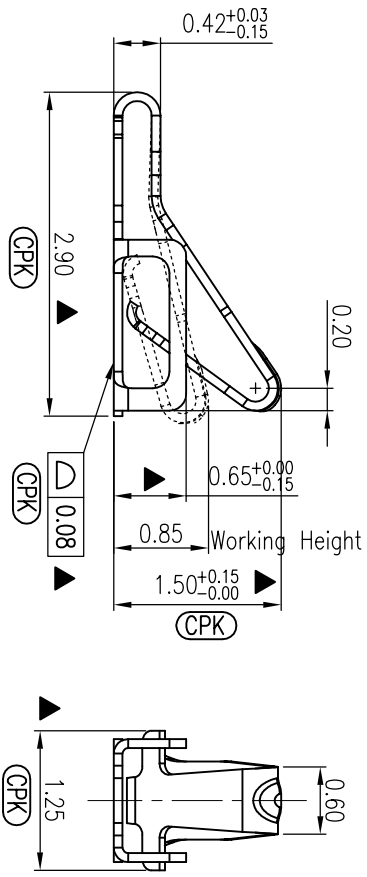
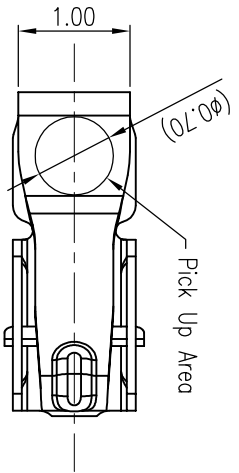
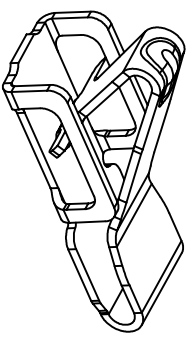
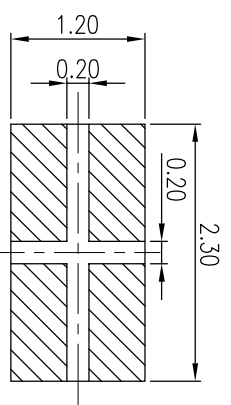
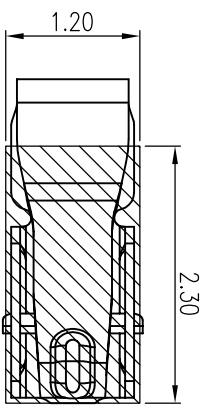


REV.	ECH. NO.	MODIFY CONTENT	DATE
A			2015/10/09



- NOTES:
- (1) MATERIAL: SUS301-EH, Finish See detail Below.
 - (2) PRODUCT SPECIFICATIONS:
 - 2-1 CURRENT RATING: 0.5A
 - 2-2 CONTACT RESISTANCE: 50 mΩ MAX
 - 2-3 OPERATION TEMPERATURE: -45° ~ +85°
 - 2-4 DURABILITY: 1500 LIFE CYCLES
 - 2-5 NORMAL FORCE: 0.5N Min. AT 0.85mm Working Height;
 - 2-6 CONTACT PEELING FORCE: 30N Min.
 - 2-7 RF PERFORMANCE:
 - 2.7.1) V.S.W.R.: 1.5Max. (DC~3GHz)
 - 2.7.2) INSERTION LOSS: 0.6dB Max. (DC~3GHz)
 - 2-8 SALT SPRAY TIME: 48HOURS
 - (3) PLEASE CONTACT JTS SALES REPRESENTATIVE TO VERIFY PRODUCT DETAILS & AVAILABILITY
 - (4) DIMENSIONS WITH MARK "▲" MUST BE MEASURED BY QC DIMENSIONS WITH MARK "CPK" MUST BE CHECKED CPK



RECOMMENDED PCB LAYOUT
TOLERANCE: ±0.05

RECOMMENDED METAL MESH
THICKNESS: 0.08

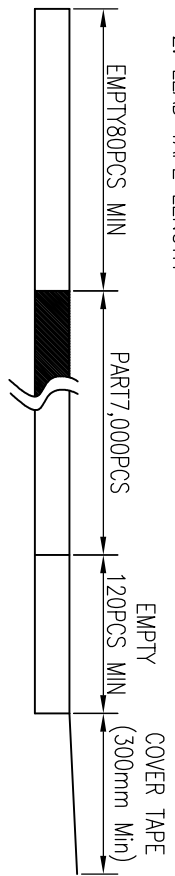
GENERAL TOLERANCE		图号	JYSA0509-001	设计	比例
X±0.10	X: ±5°	品名	天线弹片 L2.9XW1.1XH1.5	审核	1:1
X±0.08	X: ±2°	料號	JYS-TP150-017	日期	mm
.XX±0.05	.XX ±1°			2015/10/09	视角
.XXX±0.01	.XXX ±0.5°				A
SHEET 1/1	模具编号	SJ1063			

JTS 杰宇森电子有限公司
JIE YU SEN ELECTRONIC CO., LTD.

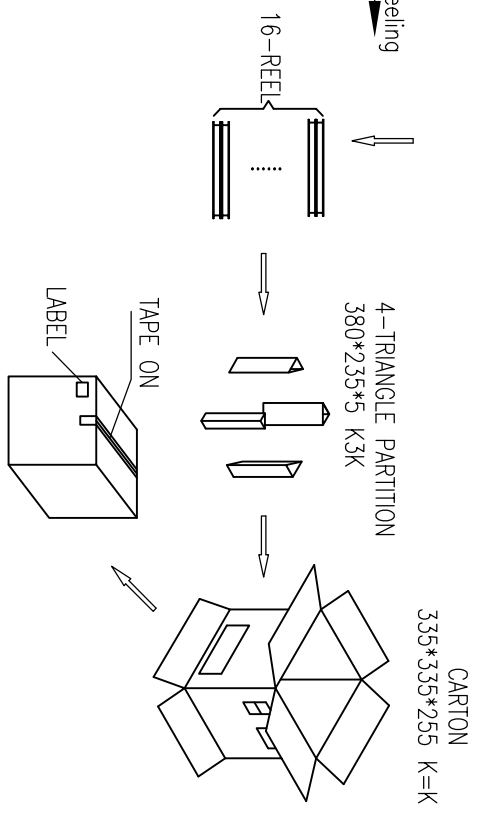
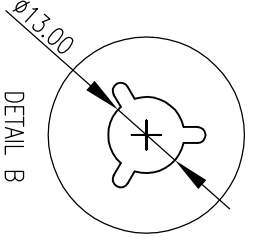
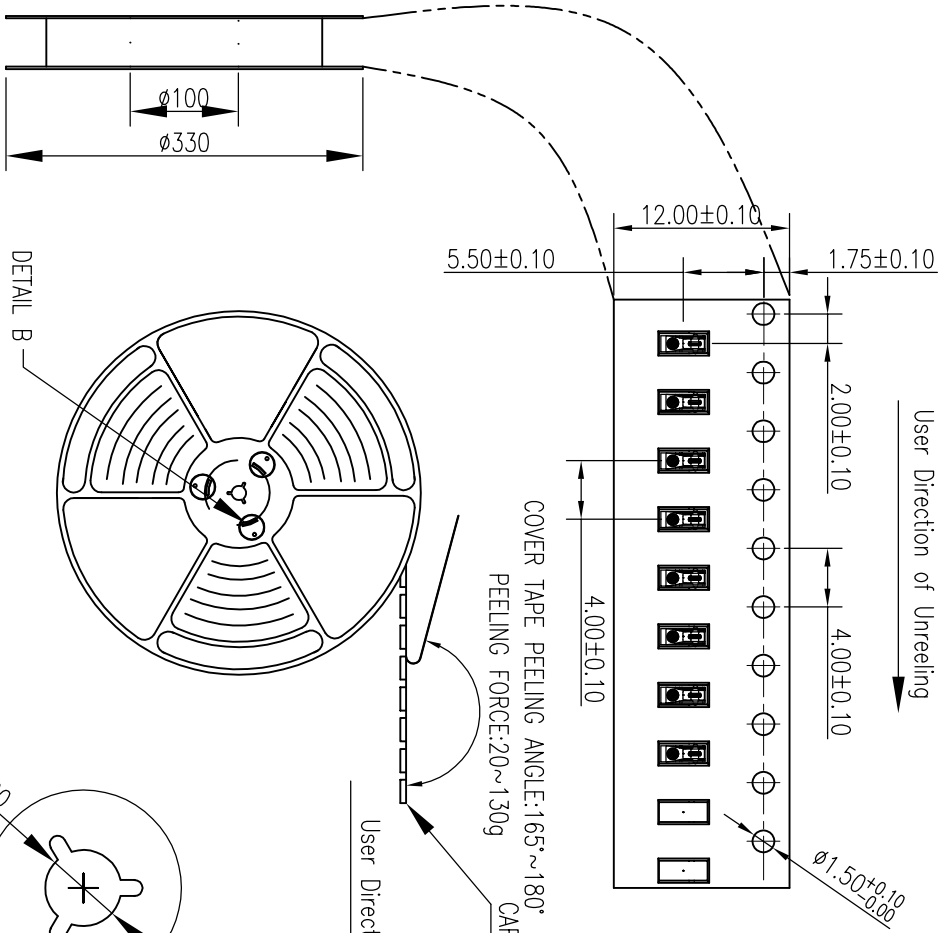
REV/	EQN.NO.	MODIFY/CONTENT	DATE
A			2015/10/09

NOTES


1. NUMBER OF CONNECTORS:7,000PCS/REEL
2. LEAD TAPE LENGTH



3. QUANTITY:112,000PCS/CARTON
4. WEIGHT :
 - 3.1 NET WEIGHT : 0.492Kg
 - 3.2 GROSS WEIGHT : 3.692Kg



GENERAL TOLERANCE		图号	JYSA0509-001	设计	比例	1:1
X±0.10	x:±5°	品名	天线薄片 L2.9XW1.1XH1.5	审核	单位	mm
X±0.08	x:±2°	料號	JYS-TP150-017	核准	视角	⊙
.XX±0.05	.xx±1°	日期	2015/10/09	版本	A	
.XXX±0.01	.xxx±0.5°	模具编号	SI1063			
SHEET 1/1						


 杰宇森电子有限公司
 JIE YU SEN ELECTRONIC CO., LTD.