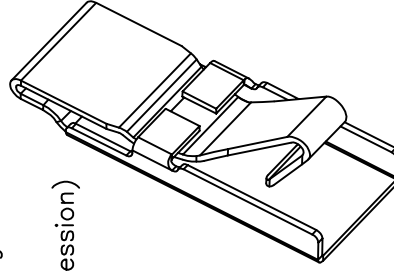
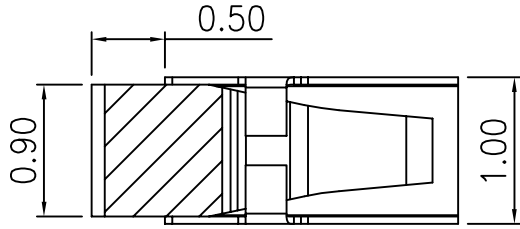
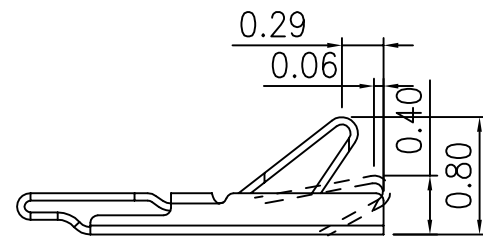
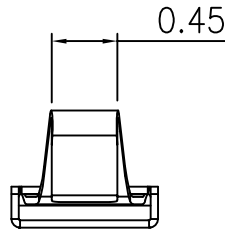
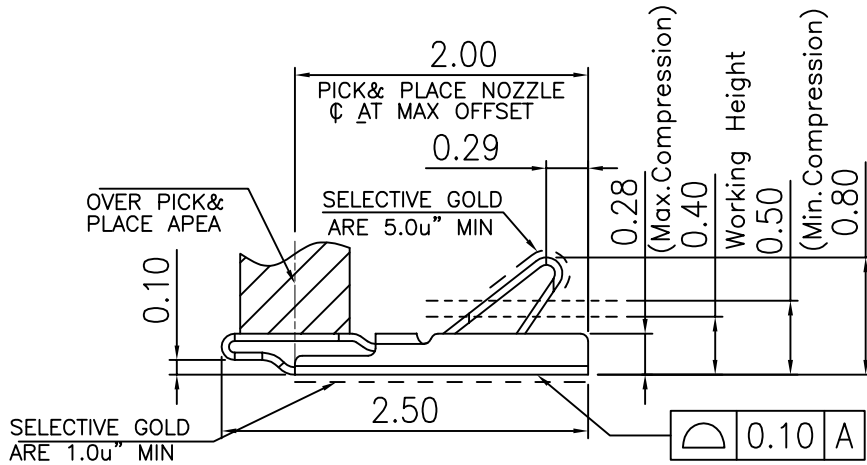


REV.	ECN.NO.	MODIFY.CONTENT	DATE
A		NEW	2013/10/31

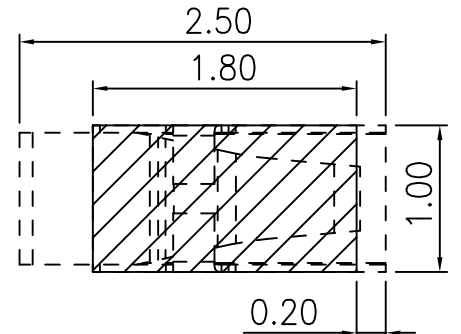


NOTES:

- 1.MATERIAL:
 - 1.1 Stainless Steel
- 2.SPECIALITY:
 - 2.1 Rated current:1.0A
 - 2.2 Rated voltage:12V
 - 2.3 Contact Resistance:30mΩ Max
 - 2.4 Operating Temperature:-20°C~+65°C
 - 2.5 Max. Beam Deflection:0.5mm.On Contact POINT
3. RF PERFORMANCE:
 - 3.1 Impedance:50 ohm.
 - 3.2 Insertion Loss: 0.6dBMax.(DC~3GHz)
 - 3.3 VSWR: 1.5MAX.(DC~3GHz)

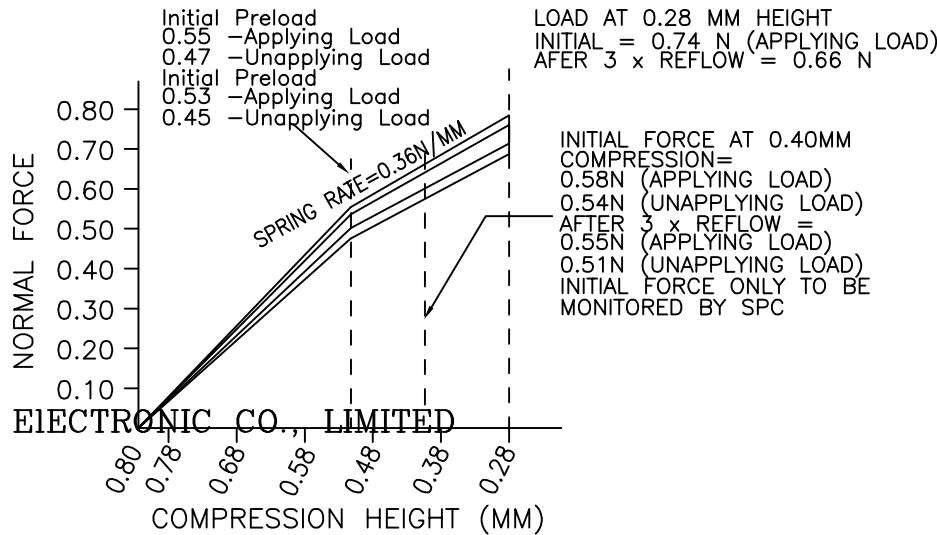


STATE AT WORKING HEIGHT 0.40mm



RECOMMENDED PCB LAYOUT
TOLERANCE:±0.05

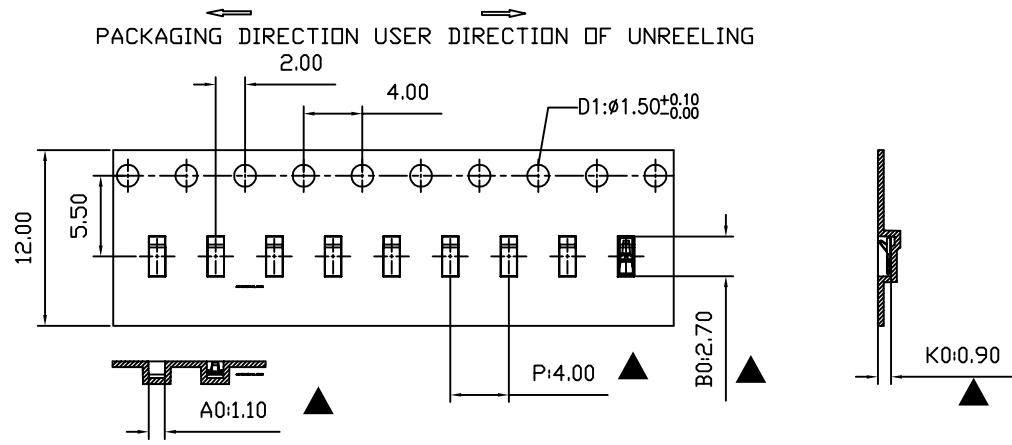
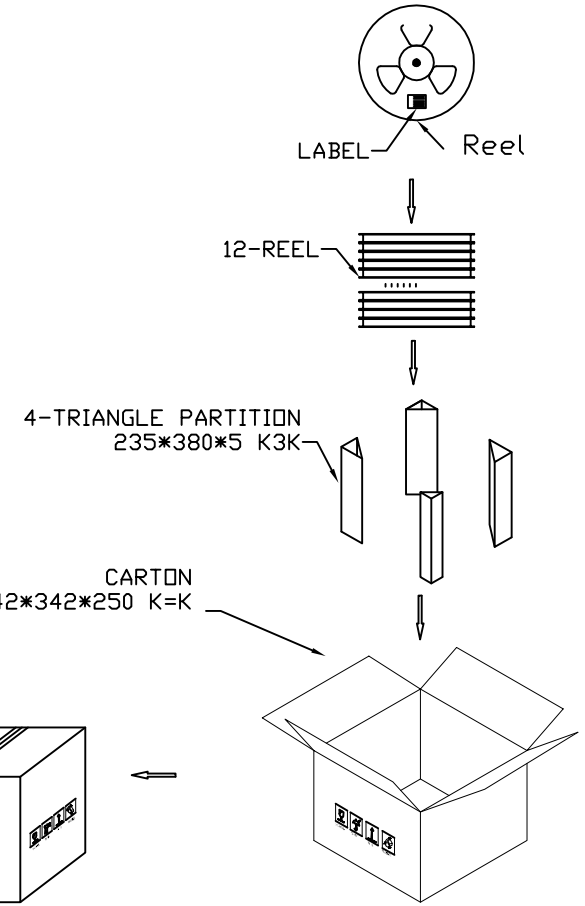
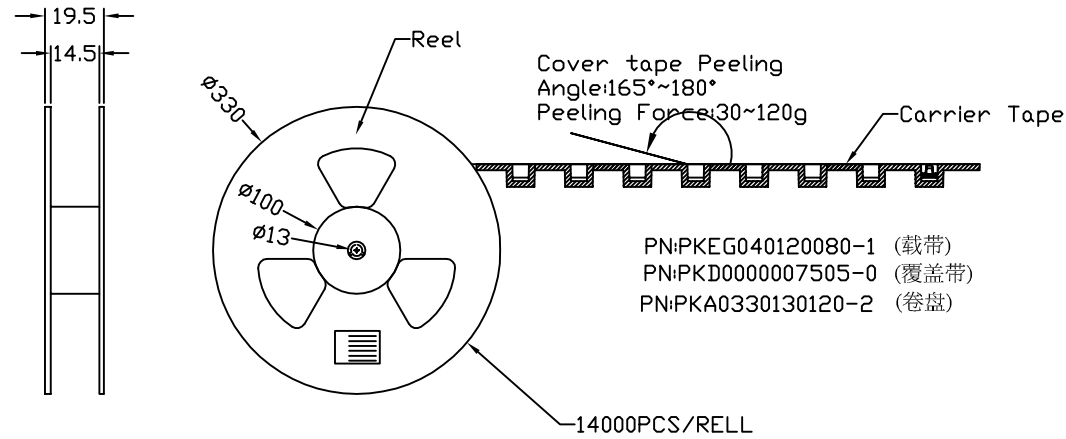
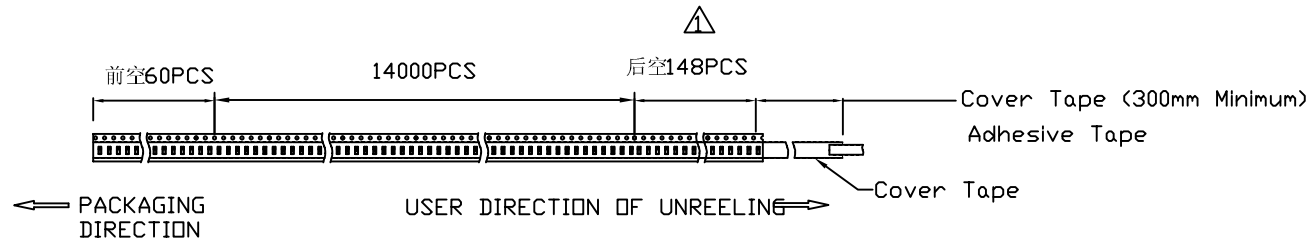
LOAD/DEFLECTION GRAPH
MINIMUM FORCE
TOLERANCE +0.25N / -0.0N



JITS ELECTRONIC CO., LIMITED

GENERAL TOLERANCE		DWG NO.	JYSA0528-012	APPD:	WIND	Scale	1:1
X.±0.20	x.'±2.0'	Title	天线弹片 L2.5*1.0*0.8	CHKD:		UNIT	mm
X.±0.10	.x'±1.0'			DR:			
.XX±0.05	.xx'±0.5'	Part NO.	JYS-TP080-024	Date	2013/10/31		
.XXX±0.03	.xxx'±0.5'						
SHEET	1/1	杰宇森电子有限公司 JIE YU SEN ELECTRONIC CO., LTD.					

REV.	ECN.NO.	MODIFY.CONTENT	DATE
A		NEW	2013/10/31



注：标示有▲为来料检验之重点尺寸，需有测量数据

1	JYS-TP080-024	14K	12	9.8	168K
项目	产品料号	数量/卷	卷/箱	千克/箱	数量/箱

GENERAL TOLERANCE		DWG NO.	JYSA0528-012	APPD:	WIND	Scale	1:1
X.±0.20	x.'±2.0'	Title	天线弹片 L2.5*1.0*0.8	CHKD:		UNIT	mm
X.±0.10	.x'±1.0'			DR:			
.XX±0.05	.xx'±0.5'	Part NO.	JYS-TP080-024	Date	2013/10/31		
.XXX±0.03	.xxx'±0.5'						
SHEET	1/1	杰宇森电子有限公司 JIE YU SEN ELECTRONIC CO., LTD.					