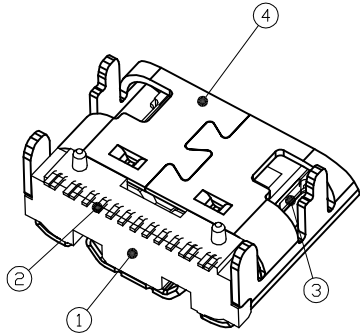
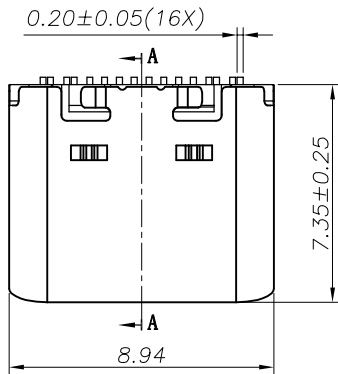
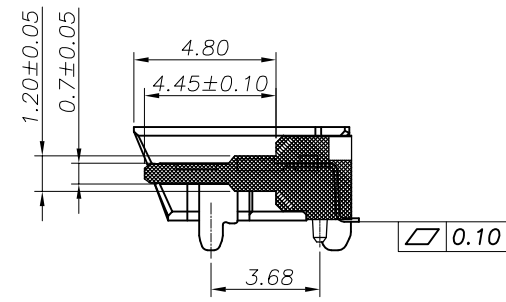
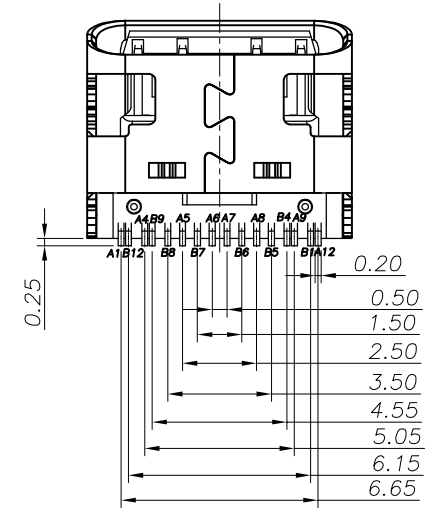
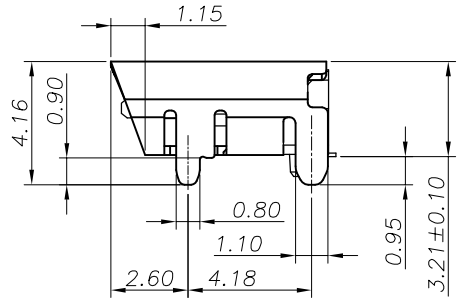
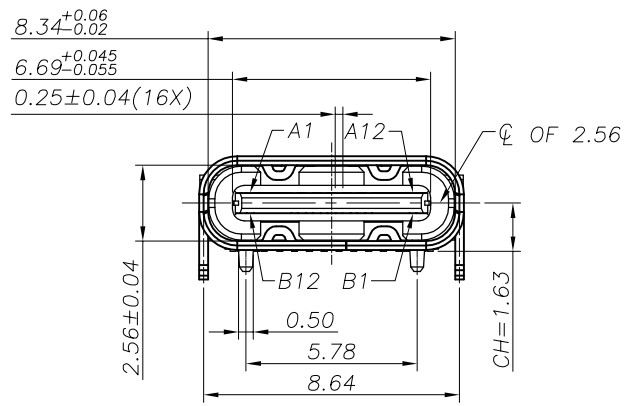


REV.	ECN.NO.	MODIFY.CONTENT	DATE
A0		NEW	2019/06/17



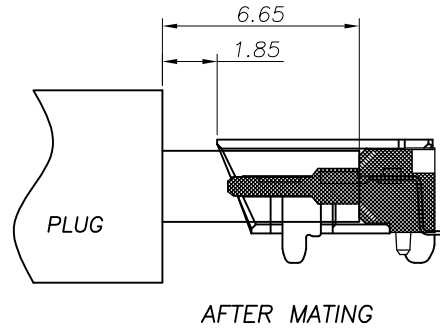
NOTE:

- MATERIAL SPECIFICATION:
  - HOUSING: LCP, UL94 V-0.
  - TERMINAL: COPPER ALLOY (C1814)
  - MID PLATE: STAINLESS STEEL (SUS301)
  - FRONT SHELL: STAINLESS STEEL (SUS304)
- PLATING SPECIFICATION:
  - TERMINAL:
    - Ni 50u" MIN. UNDER PLATED OVER ALL.
    - Au 1u" PLATED ON THE FUNCTIONAL AREA OF CONTACT.
    - Au 1u" PLATED ON THE SOLDER AREA
  - FRONT SHELL:
    - NI 50-80u" PLATING
  - MID PLATE PLATE:
    - CLEAR ONLY
- MECHANICAL PERFORMANCE,
  - INSERTION FORCE: 0.5~2.0kgf.
  - REMOVAL FORCE: 0.8kgf~2.0kgf.
  - DURABILITY: 10000 CYCLES.
- ELECTRICAL PERFORMANCE,
  - VOLTAGE RATING: 5 V DC/AC (RMS. max)  
CURRENT RATING: 5 AMPS. FOR TOTAL VBUS/GND PINS;  
1.25AMPS FOR CC PIN, 0.25 AMPS. FOR ALL OTHER CONTACT.
  - LLCR:
    - VBUS & GND PINS AND OTHER PINS: 40mΩ/PIN MAX.
    - SHIELD: 50mΩ/MAX.
    - LLCR MAX. CHANGE OF ALL PINS: 10mΩ.
  - INSULATION RESISTANCE: 100MΩ MIN
  - DIELECTRIC WITHSTAND VOLTAGE, AC 100V FOR 1 MINUTE.
- ENVIRONMENTAL PERFORMANCE:
  - OPERATING TEMPERATURE: -25°C~+85°C.
- IR REFLOW:
  - THE PEAK TEMPERATURE ON THE BOARD SHALL BE MAINTAINED FOR 10 SECONDS AT 260°C.



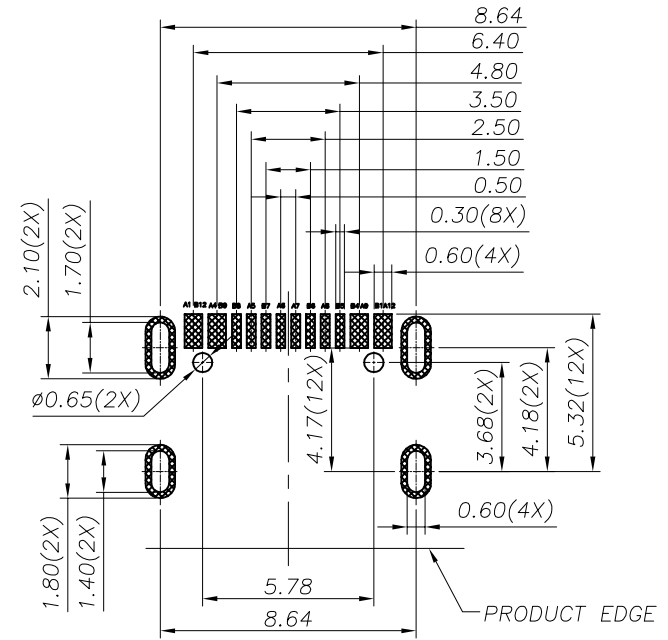
GENERAL TOLERANCE		DWG NO.	APPD:	WIND	Scale	1:1
X.±0.30	x.±5°	Title	USB TYPE C 16PIN 4DIP TYPE CONN. L=7.35mm	CHKD:	UNIT	mm
.X±0.15	.x'±2°			DR:		
.XX±0.05	.xx'±1°	Part NO.	JYS-USB730-080	Date	2019/06/17	
.XXX±0.02	.xxx'±0.5°					
SHEET	1/3					

REV.	ECN.NO.	MODIFY.CONTENT	DATE
A0		NEW	2019/06/17



USB TYPE-C PIN ASSIGNMENTS

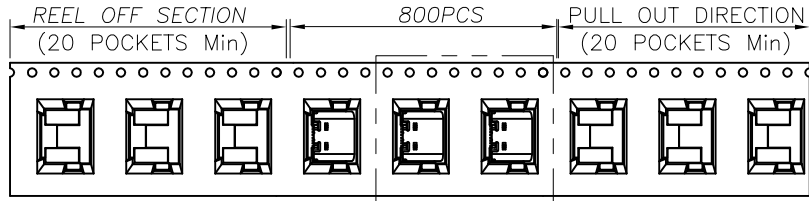
PIN NUMBER	SIGNAL NAME	PIN NUMBER	SIGNAL NAME
A1	GND	B12	GND
A4	VBUS	B9	VBUS
A5	CC1	B8	SBU2
A6	Dp1	B7	Dn2
A7	Dn1	B6	Dp2
A8	SBU1	B5	CC2
A9	VBUS	B4	VBUS
A12	GND	B1	GND



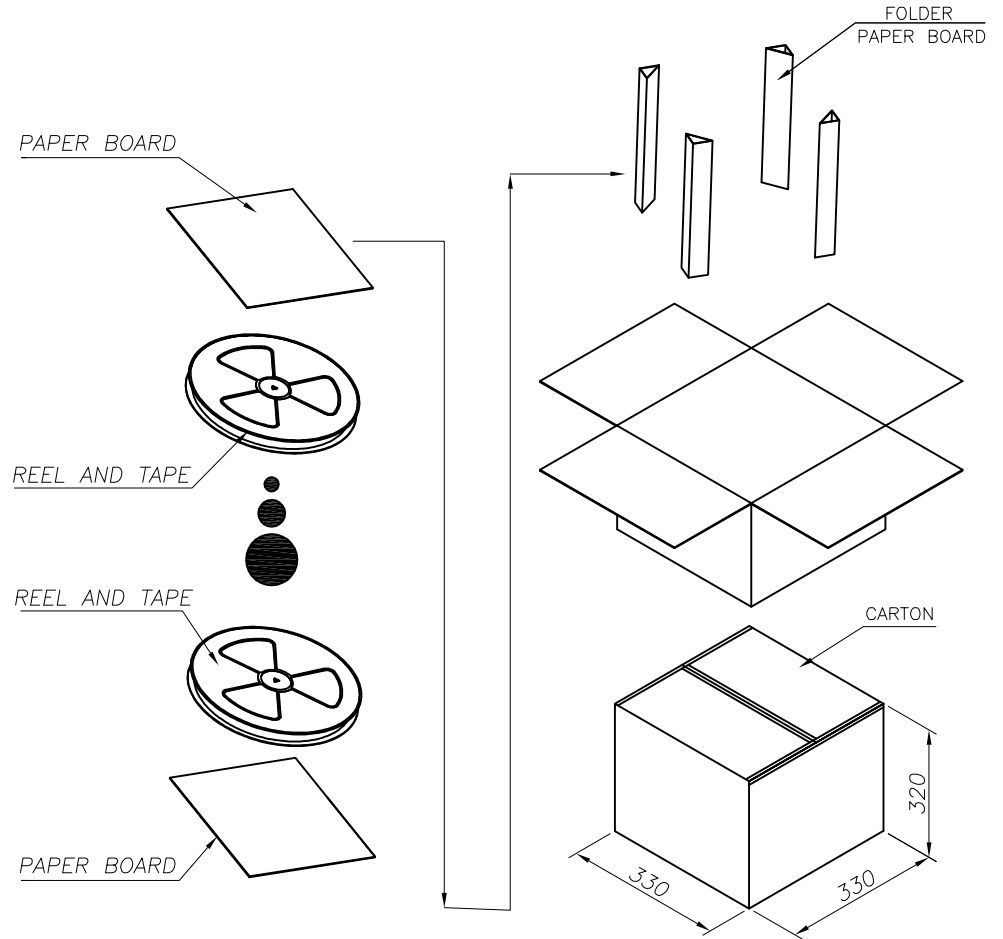
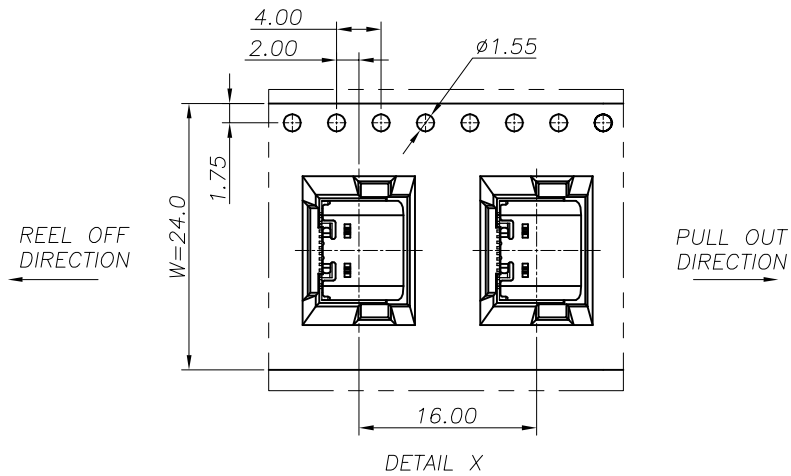
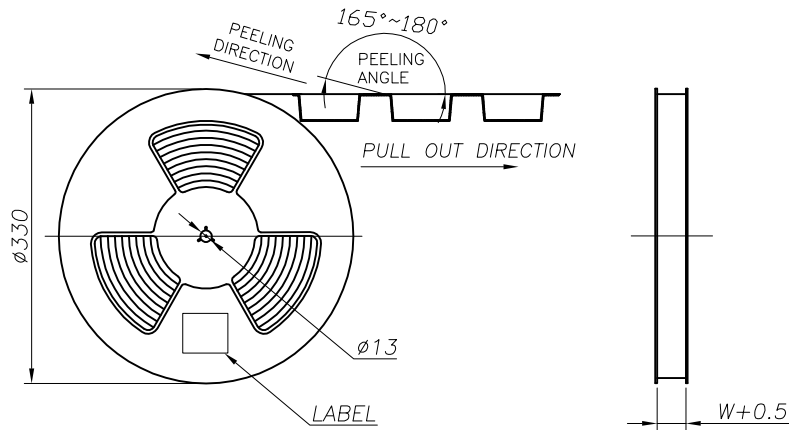
RECOMMENDED PCB LAYOUT(TOP VIEW)  
THICKNESS 0.80MM;DEFAULT TOLERANCE:±0.05

GENERAL TOLERANCE		DWG NO.		APPD:	WIND	Scale	1:1
X.±0.30	x.'±5'	Title	USB TYPE C 16PIN 4DIP TYPE CONN. L=7.35mm	CHKD:		UNIT	mm
.X±0.15	.x'±2'			DR:			
.XX±0.05	.xx'±1'	Part NO.	JYS-USB730-080	Date	2019/06/17		
.XXX±0.02	.xxx'±0.5'						
SHEET	2/3			Shenzhen <b>JYSCONN Electronics Co., LTD.</b>			

REV.	ECN.NO.	MODIFY.CONTENT	DATE
A0		NEW	2019/06/17



SEE DETAIL X



	REEL	CARTON
CONNECTOR (PCS)	800	8000

GENERAL TOLERANCE	DWG NO.		APPD:	WIND	Scale	1:1
X.±0.30	x.±5°	Title	USB TYPE C 16PIN 4DIP TYPE CONN. L=7.35mm	CHKD:	UNIT	mm
.X±0.15	.x'±2°					
.XX±0.05	.xx'±1°	Part NO.	JYS-USB730-080	Date	2019/06/17	
.XXX±0.02	.xxx'±0.5°					
SHEET	3/3	<b>JYSCONN</b> Shenzhen <b>JYSCONN Electronics Co., LTD.</b>				