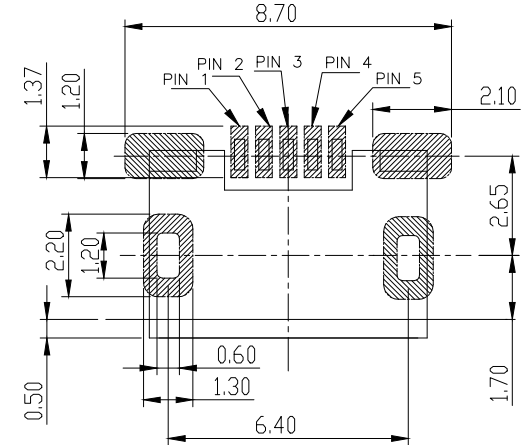
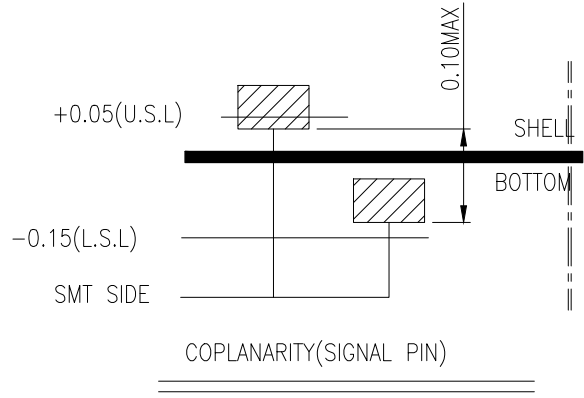
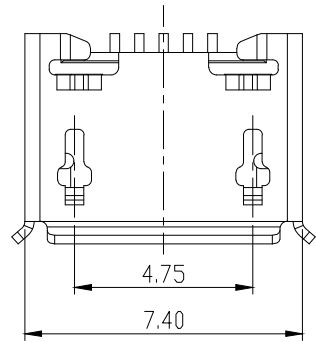
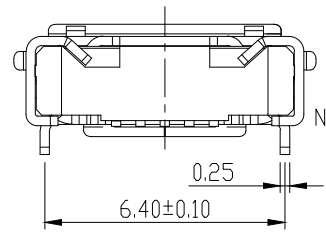
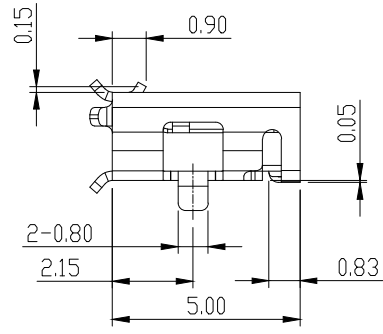
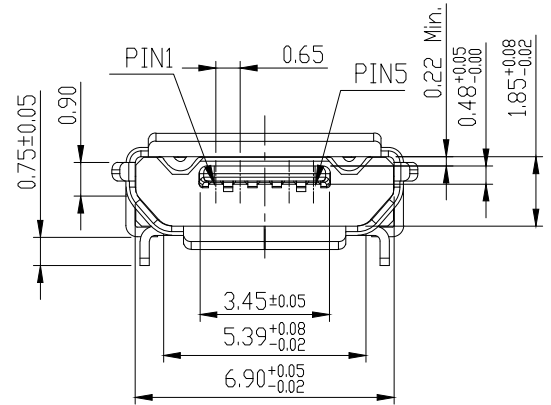


| | | | |
|------|---------|----------------|------------|
| REV. | ECN.NO. | MODIFY.CONTENT | DATE |
| A | | NEW | 2011/10/31 |

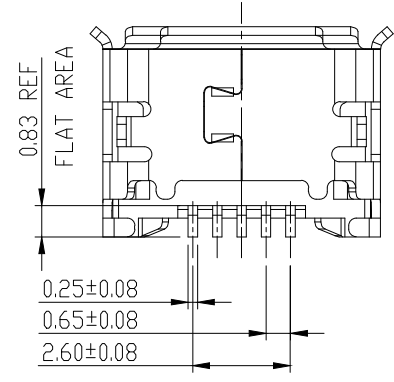


RECOMMENED P.C.B LAYOUT (TOP VIEW)
GENERAL TOLERANCE ± 0.05



NOTES:

- 1, MATERIAL:
 - 1-1. HOUSING: THERMOPLASTIC, UL94V-0, COLOR: WHITE;
 - 1-2. CONTACT: COPPER ALLOY T=0.15MM;
 - 1-3. SHELL: SUS T=0.30mm
- 2, FINISH:
 - 2-1. CONTACT: GOLD FLASH PLATING ON CONTACT AREA AND SOLDER TAILS, Ni 50u" MIN. UNDERPLATING OVERALL;
 - 2-2. SHELL: PLATING ALL OVER NICKEL 50u" Min.
- 3, SPECIFICATIONS:
 - 3-1. VOLTAGE RATING: 100VAC
 - 3-2. CURRENT RATING: PIN1/PIN5 3.0A Max
PIN2/PIN3/PIN4 1.0A Max
 - 3-3. INSULATION RESISTANCE: 100MEG.OHM MAX
 - 3-4. CONTACT RESISTANCE: 50 MILL.OHM MAX
 - 3-5. OPERATION TEMPERATURE: -20°TO+65°
 - 3-6. INSERT FORCE: 35N MAX
 - 3-7. EXTRACT FORCE: 8N MIN
 - 3-8. DURABILITY: 不带钢片 3000CYCLES



| | | | | | | | |
|-------------------|------------|----------|------------------------------------|---|------------|-------|-----|
| GENERAL TOLERANCE | | DWG NO. | JYSA1014-03 | APPD: | WIND | Scale | 1:1 |
| X.±0.45 | x.'±5° | Title | MICRO USB 5PIN 前插后贴 6.4mm 无柱 卷边 | CHKD: | | UNIT | mm |
| .X±0.35 | .x'±2° | | | DR: | | | |
| .XX±0.25 | .xx'±1° | Part NO. | JYS-USB640-005 | Date | 2011/10/31 | | |
| .XXX±0.15 | .xxx'±0.5° | | | | | | |
| SHEET | 1/1 | | | Shenzhen JYCONN Electronics Co., LTD. | | | |