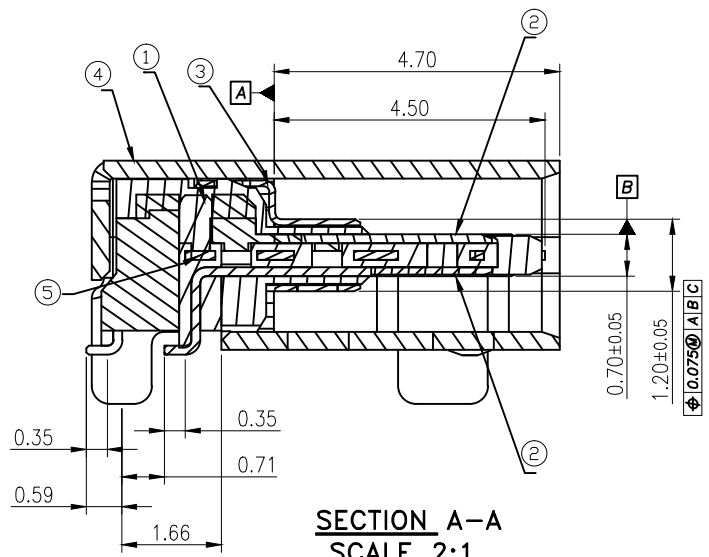
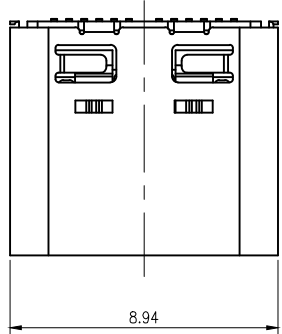
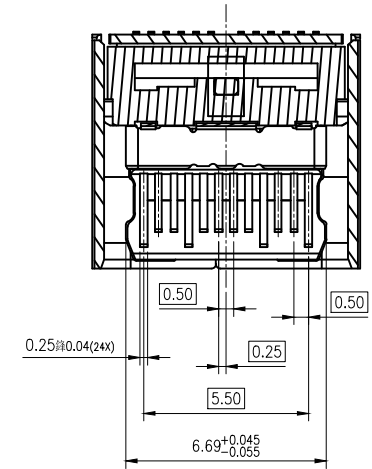


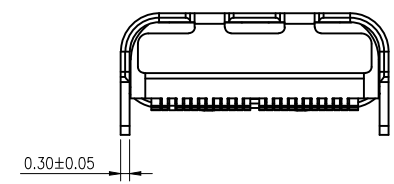
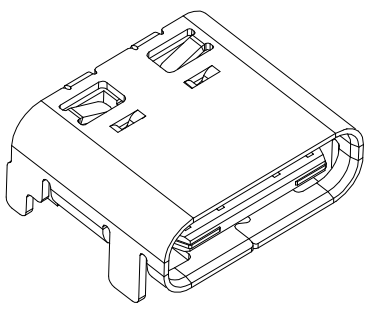
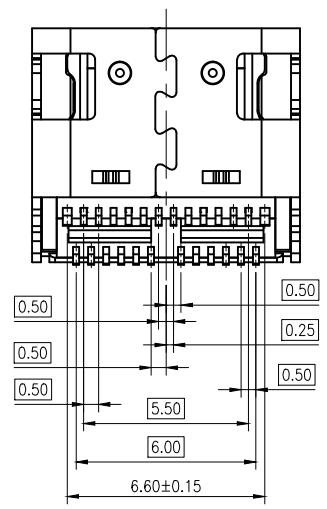
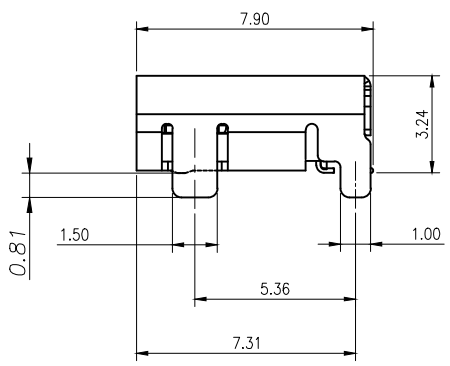
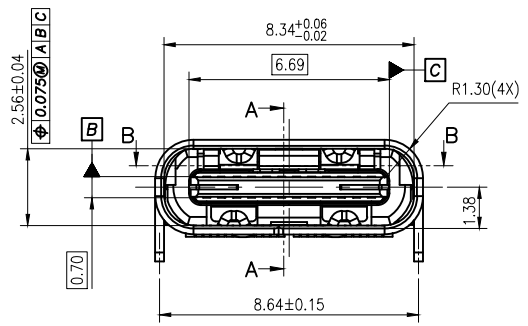
REV.	ECN.NO.	MODIFY.CONTENT	DATE
A0		NEW	2018/06/06



SECTION A-A
SCALE 2:1

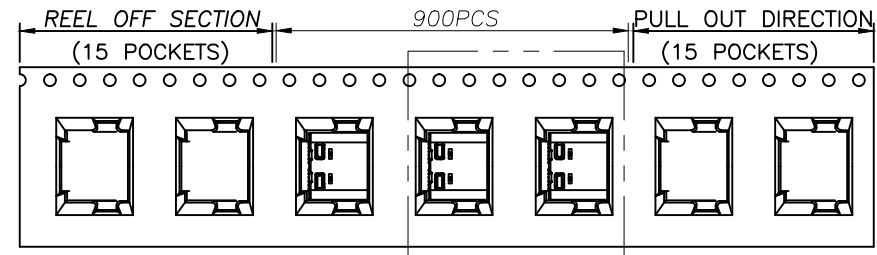


SECTION B-B
SCALE 1:1

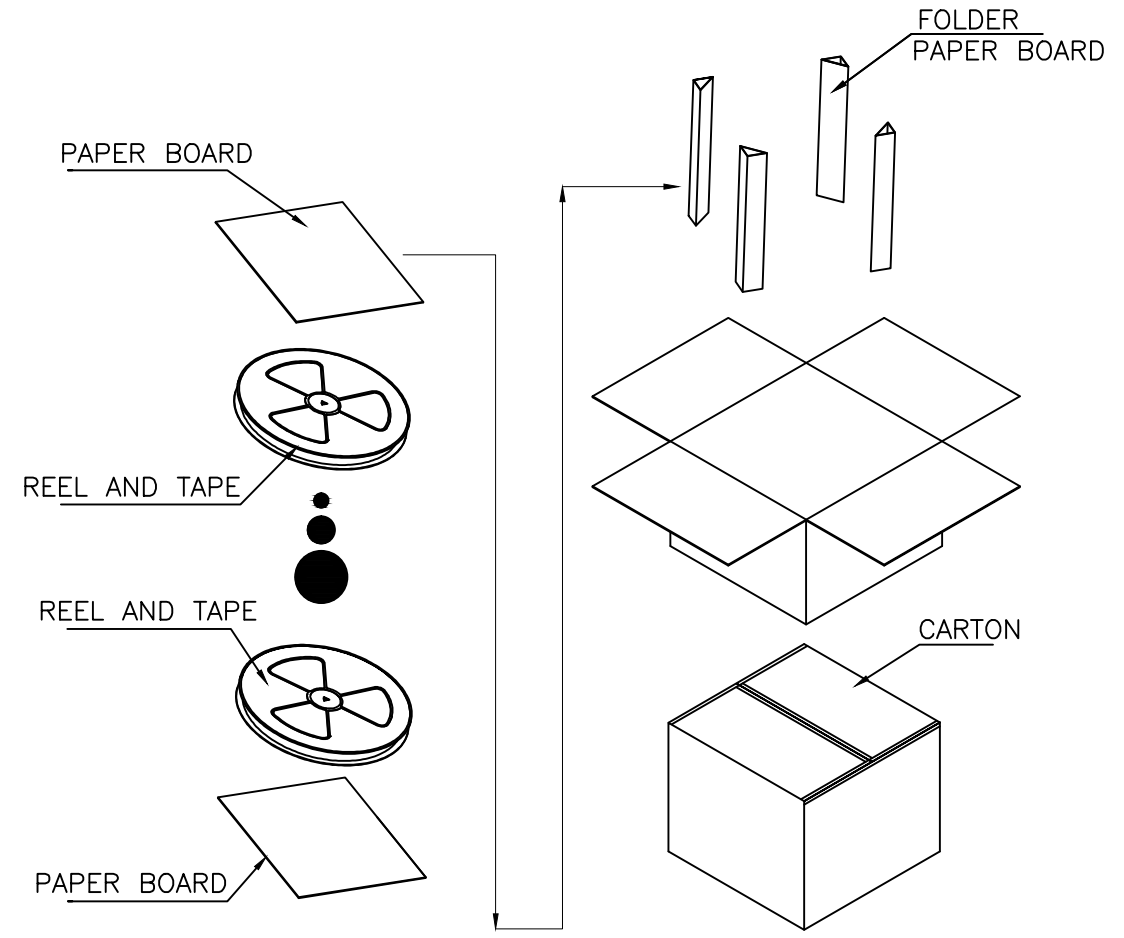
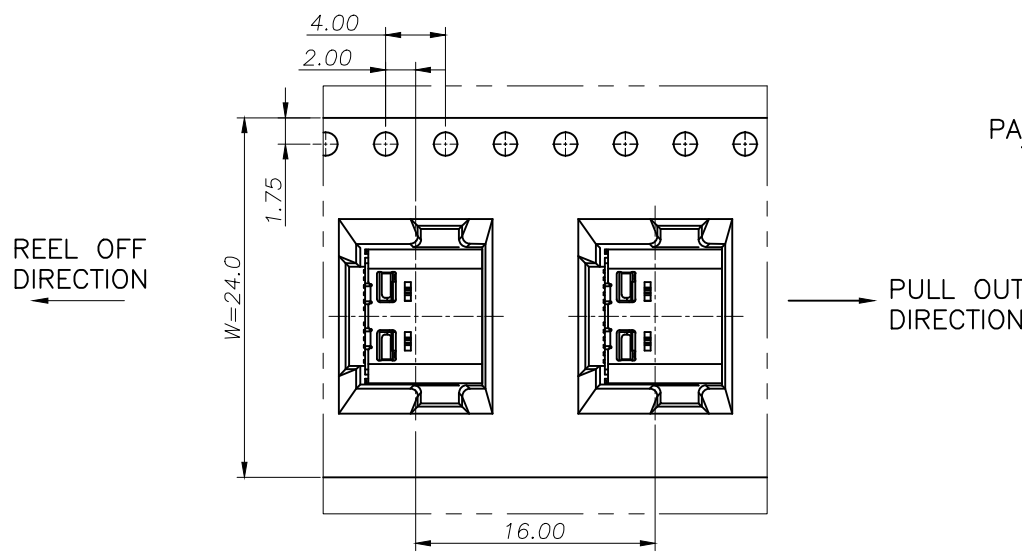
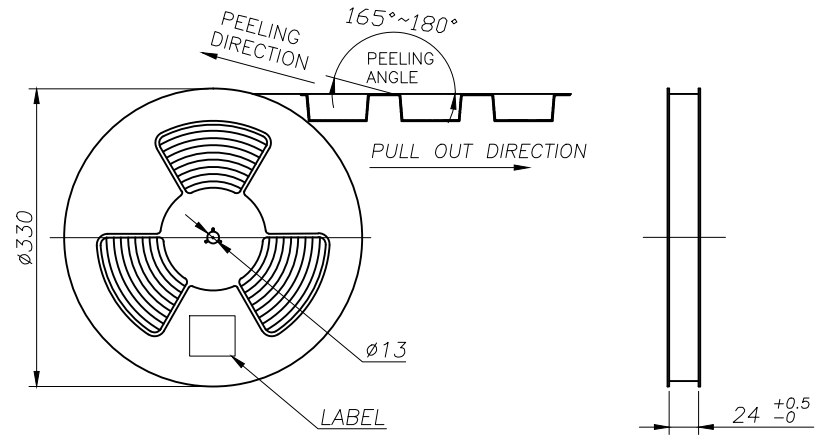


GENERAL TOLERANCE		DWG NO.	JYSA0666-001	APPD:	Scale	1:1
X.±0.45	x.'±5'	Title	USB TYPE C REC TOP MOUNT SMT TAIL	CHKD:	UNIT	mm
.X±0.35	.x'±2'			DR:		
.XX±0.20	.xx'±1'	Part NO.	JYS-USB864-014	Date	2018/06/06	
.XXX±0.10	.xxx'±0.5'	JYSCONN Shenzhen		JYSCONN Electronics Co., LTD.		
SHEET	1/3					

REV.	ECN.NO.	MODIFY.CONTENT	DATE
A0		NEW	2018/06/06



SEE DETAIL X



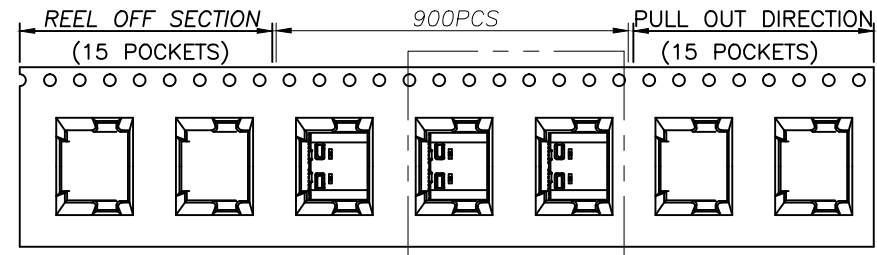
	REEL	CARTON
CONNECTOR (PCS)	900	9000

GENERAL TOLERANCE	DWG NO.	APPD:	Scale	1:1
X.±0.45	x.'±5'	Title	UNIT	mm
.X±0.35	.x'±2'	Part NO.	Date	2018/06/06
.XX±0.20	.xx'±1'			
.XXX±0.10	.xxx'±0.5'			

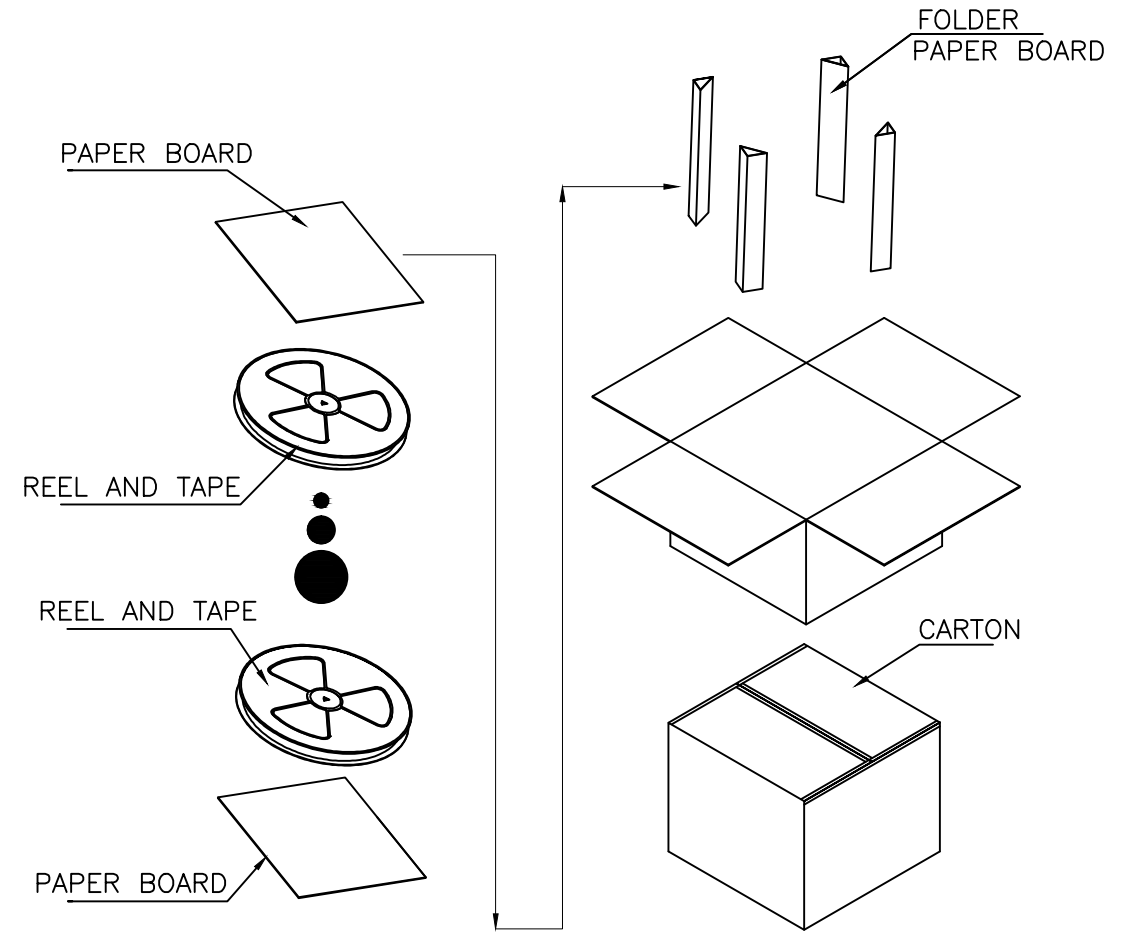
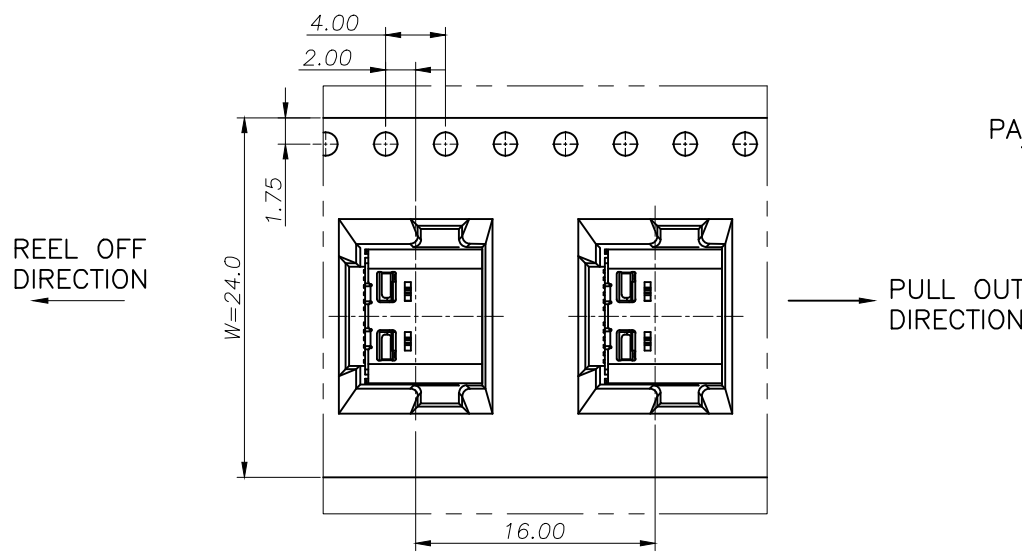
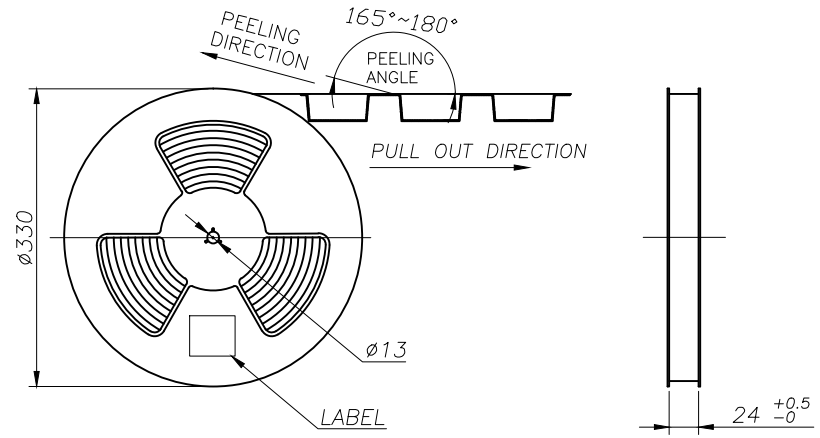
GENERAL TOLERANCE	DWG NO.	APPD:	Scale	1:1
X.±0.45	x.'±5'	Title	UNIT	mm
.X±0.35	.x'±2'	Part NO.	Date	2018/06/06
.XX±0.20	.xx'±1'			
.XXX±0.10	.xxx'±0.5'			

JYSCONN Shenzhen
JYSCONN Electronics Co., LTD.

REV.	ECN.NO.	MODIFY.CONTENT	DATE
A0		NEW	2018/06/06



SEE DETAIL X



	REEL	CARTON
CONNECTOR (PCS)	900	9000

GENERAL TOLERANCE	DWG NO.	APPD:	Scale	1:1
X.±0.45	x.'±5'	Title	UNIT	mm
.X±0.35	.x'±2'	Part NO.	Date	2018/06/06
.XX±0.20	.xx'±1'			
.XXX±0.10	.xxx'±0.5'			

GENERAL TOLERANCE	DWG NO.	APPD:	Scale	1:1
X.±0.45	x.'±5'	Title	UNIT	mm
.X±0.35	.x'±2'	Part NO.	Date	2018/06/06
.XX±0.20	.xx'±1'			
.XXX±0.10	.xxx'±0.5'			

JYSCONN Shenzhen
JYSCONN Electronics Co., LTD.