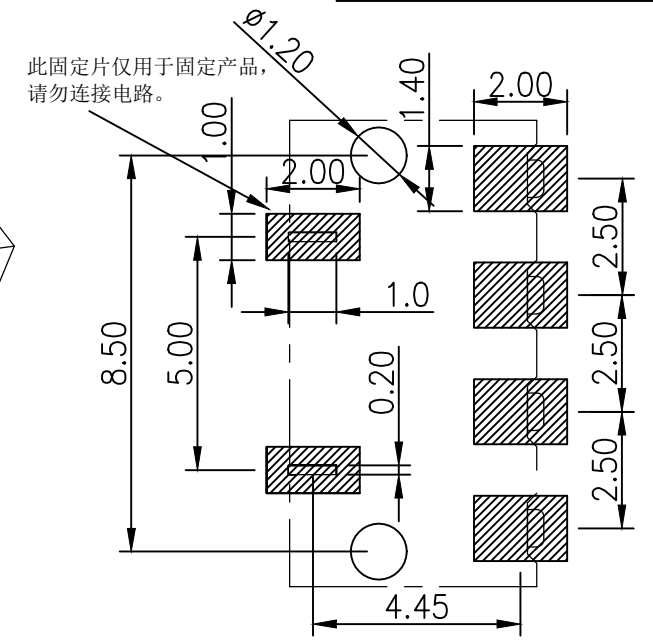
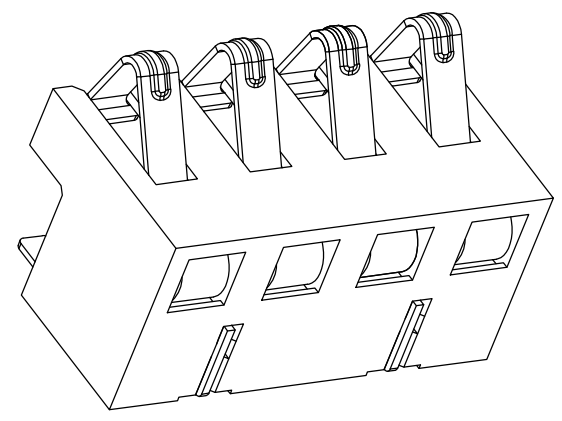
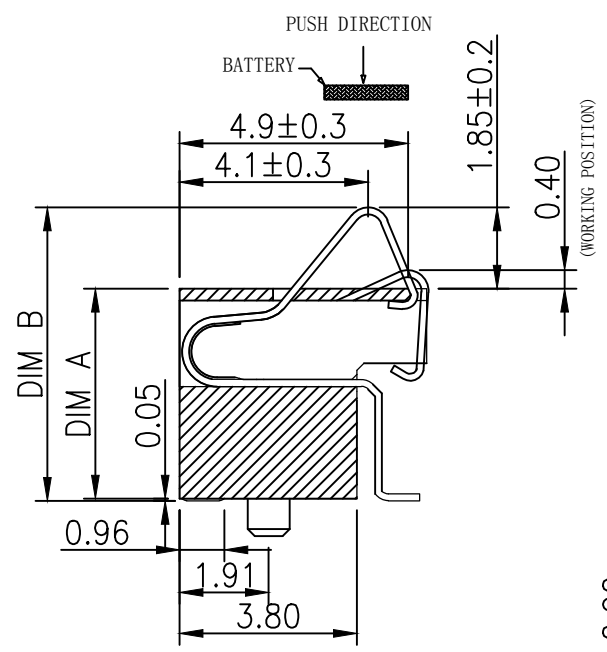
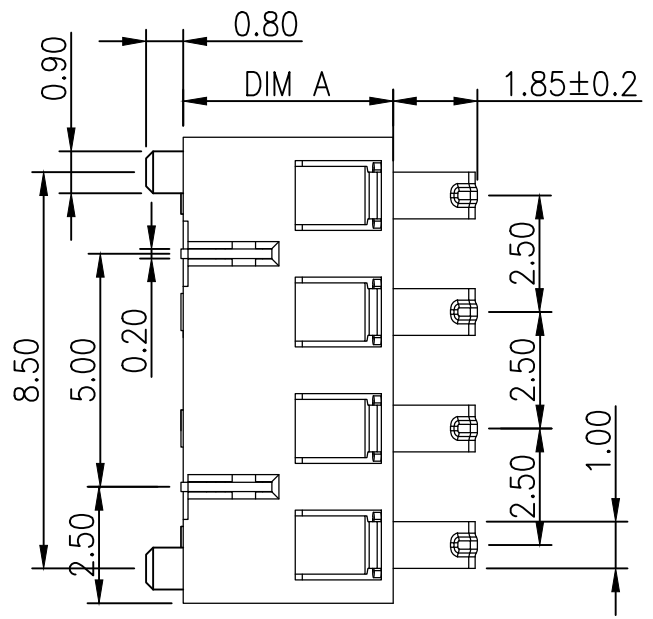
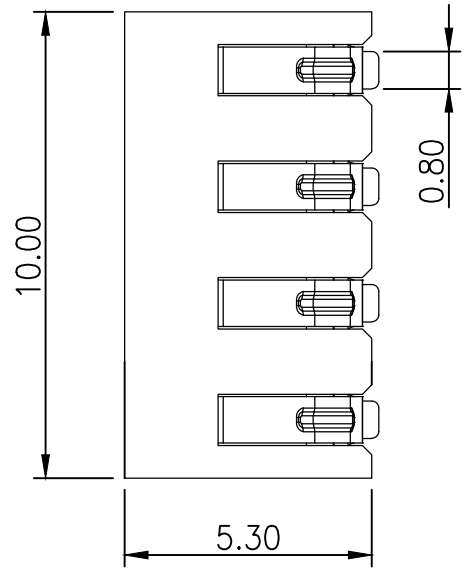


REV.	ECN.NO.	MODIFY.CONTENT	DATE
A		NEW	2016/10/31



RECOMMENDED PCB LAYOUT
TOP VIEW (. XX±0.05)



性能:

- 额定电流: 2.0A
- 额定电压: 12V
- 耐电压: 500V
- 接触电阻: 30mΩ
- 绝缘电阻: 500MΩ
- 工作温度: -40℃~+85℃
- 塑件(材质): LCP
- 接触点(材质): 磷铜, 触点镀金3U"

PART NO.	DIM A	DIM B	GENERAL TOLERANCE		DWG NO.	JYSA1105-04	APPD:	WIND	Scale	1:1
			X.±0.45	x.'±5'						
JYS-BY400-324	4.0	5.90±0.2	.X±0.35	.x'±2'	Title	BATTERY 4PIN 2.50PITCH 4.0H-5.5H WITH POST	CHKD:		UNIT	mm
JYS-BY450-325	4.5	6.40±0.2	.XX±0.25	.xx'±1'	Part NO.	SEE TABLE	Date	2016/10/31		
JYS-BY550-326	5.5	7.40±0.2	.XXX±0.15	.xxx'±0.5'						
			SHEET	1/1	Shenzhen JYSCONN Electronics Co., LTD.					