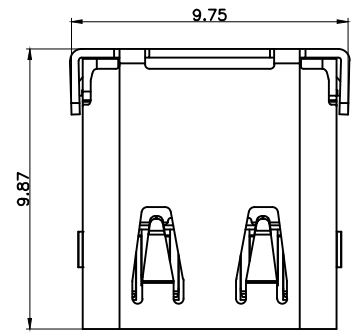
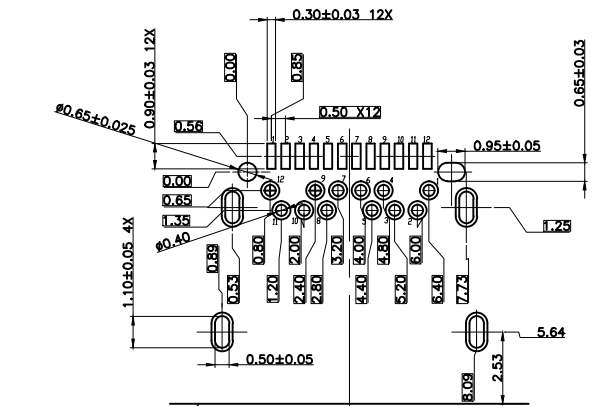
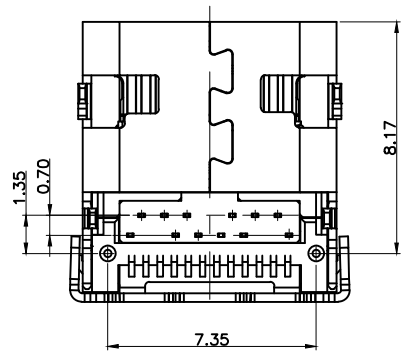
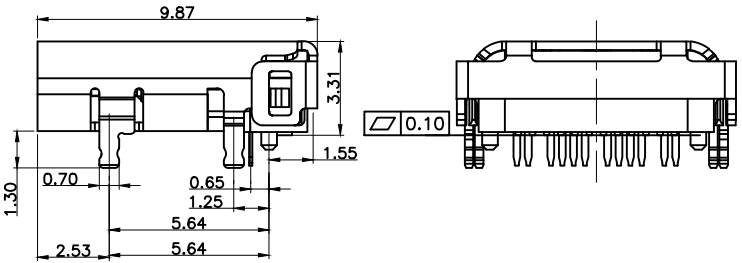
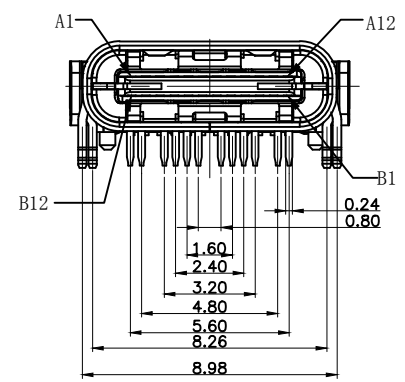


REV.	ECN.NO.	MODIFY.CONTENT	DATE
A		NEW	2020/06/17



- NOTES:  
SPECIFICATION:
1. CURRENT RATING: 5.0A MAX
  2. VOLTAGE: 100 VAC
  3. TEMPERATURE RANGE: -30 °C ~ 85 °C
  4. CONTACT RESISTANCE: 40 MILLIONHM MAX
  5. INSULATION RESISTANCE: 100 MEGOHMS MIN.
  6. LNSERTION FORCE : 5N~20N
  7. UNMATING FORCE: 8N~20N
  8. DURABILITY: 10,000 CYCLES



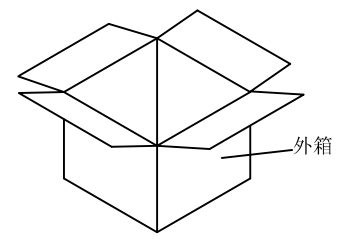
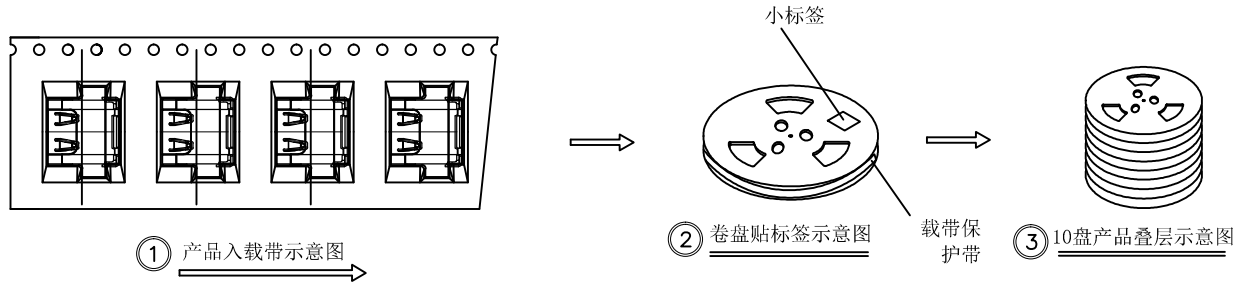
CONNECTOR FRONT EDGE → RECOMMENDED P.C.B. LAYOUT (T:1.00mm)  
TOLERANCE UNSPECIFIED ±0.05mm

A1	GND	B12	GND
A2	SSTXP1	B11	SSRXP1
A3	SSTXN1	B10	SSRXN1
A4	VBUS	B9	VBUS
A5	CC1	B8	SBU2
A6	DP1	B7	DN2
A7	DN1	B6	DP2
A8	SBU1	B5	CC2
A9	VBUS	B4	VBUS
A10	SSRXN2	B3	SSTXN2
A11	SSRXP2	B2	SSTXP2
A12	GND	B1	GND
PIN	SIGNAL NAME	PIN	SIGNAL NAME

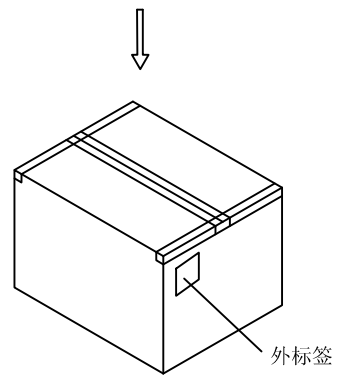
5	SHELL	STAINLESS STEEL	NI Plated	1PCS
4	SPRING	STAINLESS STEEL	---	1PCS
3	SHIELDING PLATE	STAINLESS STEEL	---	1PCS
2	CONTACT	COPPER ALLOY	Au1u*/NI Plated	1SET
1	HOUSING	HIGH TEMPERATURE PLASTIC	BLACK	1PCS
NO.	DESCRIPTION	MATERIAL	REMARKS	QTY

GENERAL TOLERANCE		DWG NO.	JYSA20200617	APPD:	WIND	Scale	1:1
X.±0.45	x.'±5'	Title	USB TYPE CF 24PIN DIP+SMT CONN. L=9.87mm	CHKD:		UNIT	mm
.X±0.35	.x'±2'			DR:			
.XX±0.25	.xx'±1'	Part NO.	JYS-USB987-100	Date	2020/06/17		
.XXX±0.15	.xxx'±0.5'			<b>JYSCONN Electronics Co., LTD.</b>			
SHEET	1/2						

REV.	ECN.NO.	MODIFY.CONTENT	DATE
A		NEW	2020/06/17



④ 产品入外箱示意图



⑤ 外箱封箱示意图

NOTE:

1. QUANTITY/REEL: 1000 PCS  
數量/卷: 1000 PCS  
QUANTITY/INNER CARTON: 1000 X 10 = 10000 PCS  
數量/箱: 1000 X 10 = 10000 PCS
2. FREE 20 CAVE IN THE FRONT CARRIER AND FREE 20 CAVE IN THE END CARRIER.  
包裝帶內圈空16格, 外圈空16格。

1	成品		C TYPE母座成品	10000
2	CARRIER TAPE	PET	W=24mm T=0.30mm	11. 1M
3	COVER TAPE	PET	W=13.3mm T=0.05mm	11. 1M
4	小标签		L102mm*W59mm	10
5	卷盘	PS	ø380mm*H27.6mm	10
7	外标签		L102mm*W102mm	1
9	外箱	A=A	L395mm*W395mm*H300mm	1
ITEM	DESC.	MATERIAL	REMARKS	QTY

GENERAL TOLERANCE		DWG NO.	JYSA20200617	APPD:	WIND	Scale	1:1
X.±0.45	x.'±5'	Title	USB TYPE CF 24PIN DIP+SMT CONN. L=9.87mm	CHKD:		UNIT	mm
.X±0.35	.x'±2'			DR:			
.XX±0.25	.xx'±1'	Part NO.	JYS-USB987-100	Date	2020/06/17		
.XXX±0.15	.xxx'±0.5'			<b>JYSCONN Electronics Co., LTD.</b>			
SHEET	2/2						