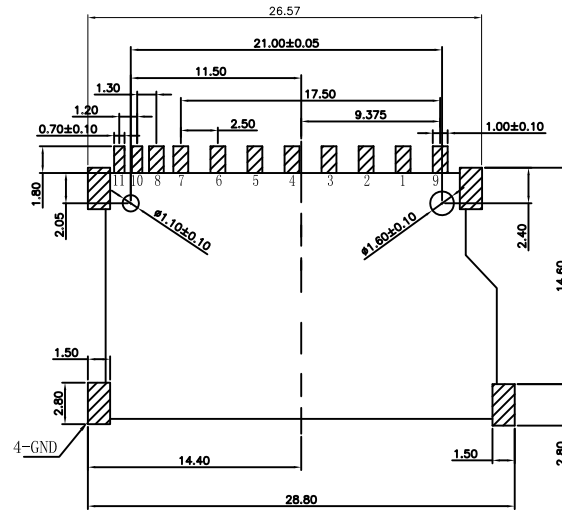
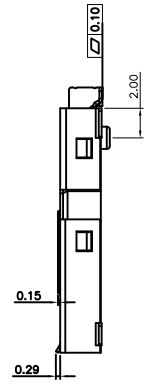
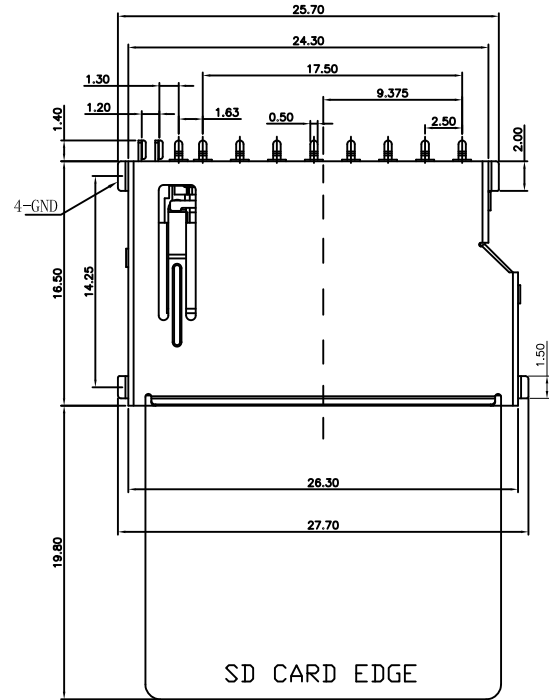
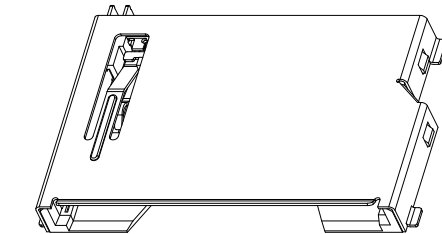
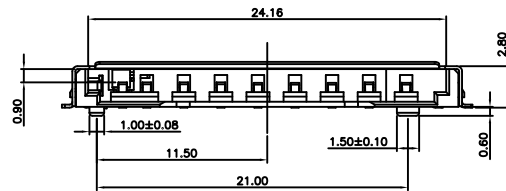


REV.	ECN.NO.	MODIFY.CONTENT	DATE
AO		NEW	2013/09/29



RECOMMENDED P.C.B LAYOUT  
(TOLERANCE: +/-0.05)

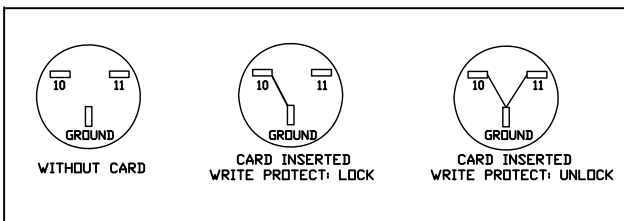
11-WRITE PROTECT PIN  
10-CARD DETECT PIN  
GROUND(SHELL)-COMMON PIN



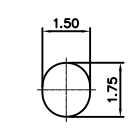
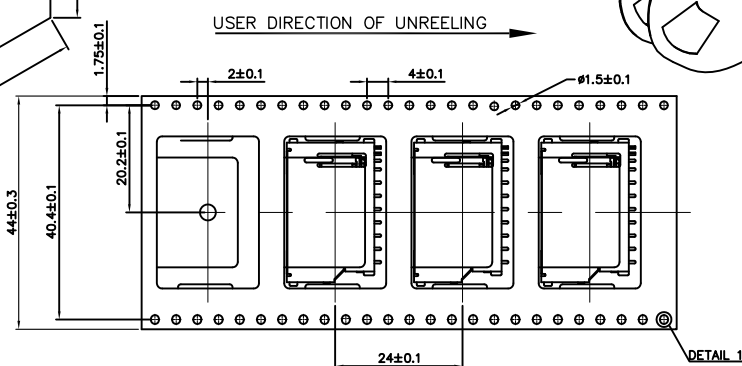
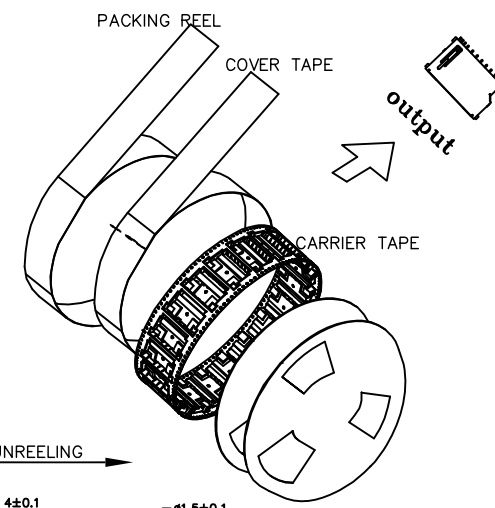
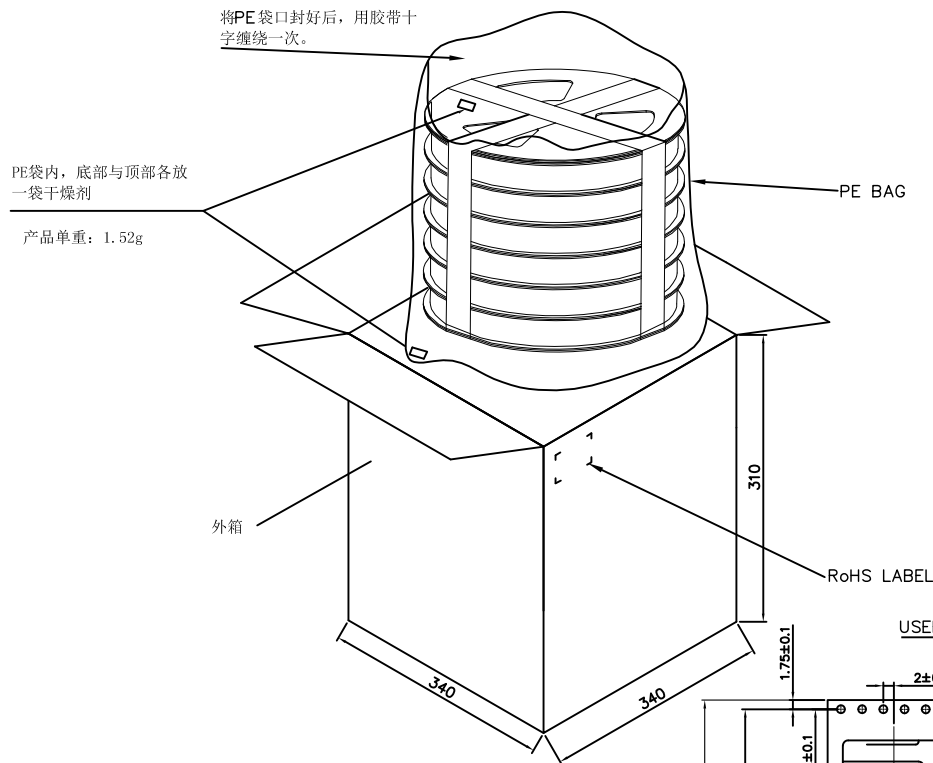
SD CARD PIN DESIGN

PIN NO.	NAME	DESCRIPTION
1#	CD/DAT3	CARD DETECT/DATA I/O
2#	CMD	COMMAND
3#	VSS1	GROUND
4#	VDD	POWER
5#	CLK	CLOCK
6#	VSS2	GROUND
7#	DAT0	DATA I/O
8#	DAT1	DATA I/O
9#	DAT2	DATA I/O
10#	CD	
11#	WP	

GENERAL TOLERANCE		DWG. NO.	APPD:	WIND	Scale	1:1
X.±0.45	x.*±5°	Title	CHKD:	DR:	UNIT	mm
.X±0.35	.x.*±2°				视角	
.XX±0.25	.xx.*±1°	Part No.	Date	2013/09/29	版本	A2
.XXX±0.15	.xxx.*±0.5°	Shenzhen <b>JYSCONN Electronics Co., LTD.</b>				
SHEET	1/2					



REV.	ECN.NO.	MODIFY.CONTENT	DATE
A0			2013/09/29



NOTE:

1. 每卷CARRIER TAPE 前后各留10PCS以上不使用  
DON'T USE IN FRONT AREA OF 10PCS AND IN  
END AREA OF 10PCS ON EACH CARRIER TAPE.
2. 每卷CARRIER TAPE放置600个SD CONNECTOR.  
EACH CARRIER TAPE ROLL PUT 600 PCS SD  
CONNECTOR
3. 每6卷CARRIER TAPE 用1个PE BAG  
EVERY SIX CARRIERS TAPE USE ONE PE BAG
4. 以COVER TAPE覆盖后, 经包装机冷封包装  
USE COVER TAPE TO COVER AND COLD  
MACHINE TO SEAL UP
5. 以PSA COVER PLATE覆盖于外圈再以胶带固定  
THE OUTSIDE OF THE ROLL USE PAS COVER  
PLATE TO COVER AND USE ADHESIVE TAPE TO  
FIX
6. 放入CARTON并以胶带封口  
PUT ROLL IN THE CARTON AND USE ADHESIVE  
TAPE TO SEAL UP
7. CARTON 之麦头贴法请参考生管资料  
THE MARK WILL BE PROVIDED BY PMC
8. 在OUTSIDE CARTON外侧如图所示位置贴标签  
STAMP ROHS LABEL ON THE CARTON.
9. 产品单重1.52g  
CONNECTOR WEIGHT: 1.52G/PCS

7	LABEL	PCS	1
6	OUTSIDE CARTON	PCS	1
5	COVER TAPE	M	89.28
4	PACKING REEL	PCS	6
3	PE BAG	PCS	1
2	CARRIER TAPE	SET	6
1	SD CONNECTOR	PCS	3600
NO.	MATERIAL	UNIT	Q'TY

GENERAL TOLERANCE		图号	设计		WIND	比例	1:1
X.±0.45	.x'±5'	品名	包装图		审核	单位	mm
.X±0.35	.xx'±2'				核准		
.XX±0.25	.xx'±1'	料号	JYS-SD280-013	日期	2013/09/29		
.XXX±0.15	.xxx'±0.5'						
页号	2/2			Shenzhen <b>JYSCONN Electronics Co., LTD.</b>			